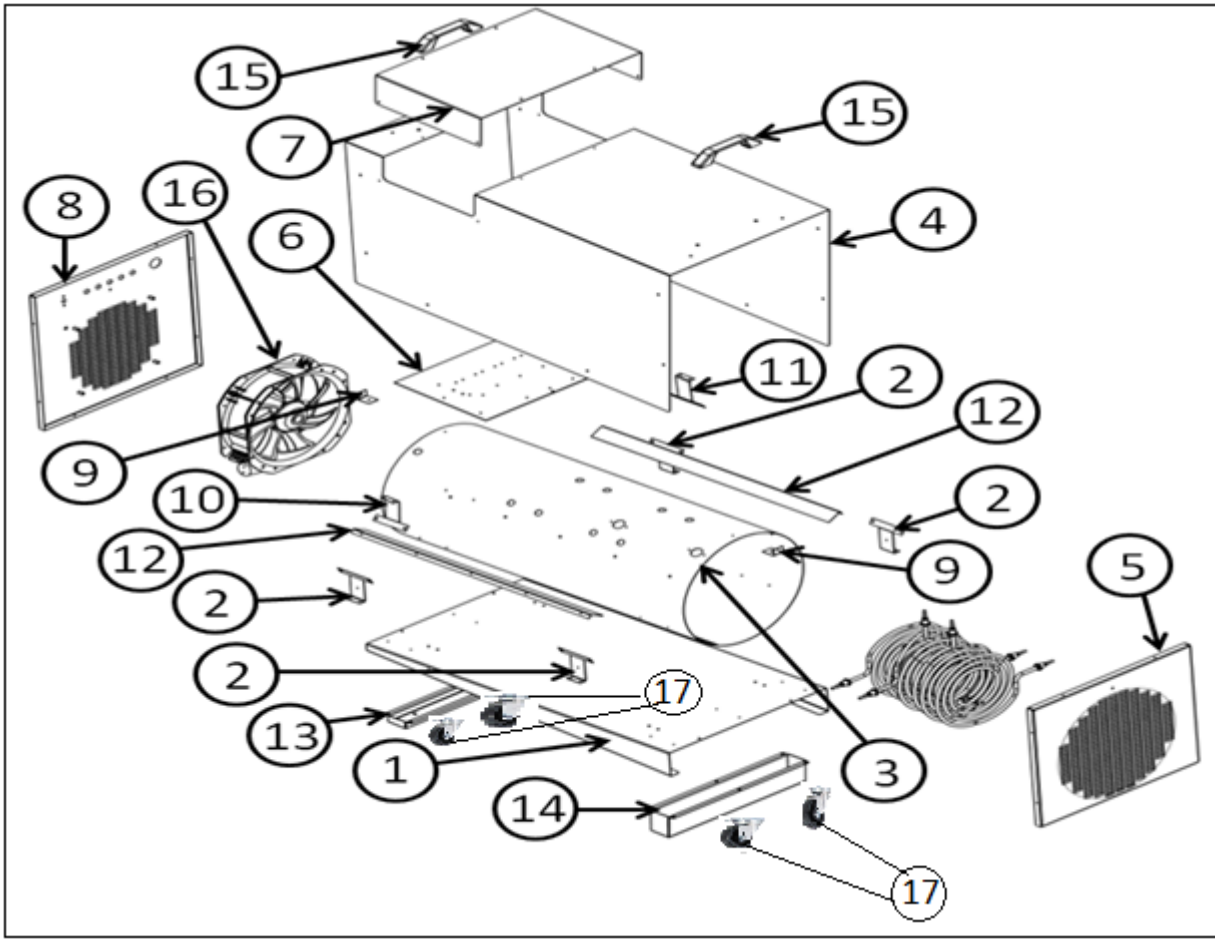


ECO BLAZE 18E (1PH/3PH)

BLAZE 18E (1PH/3PH) PARTS BREAKOUT REV 1

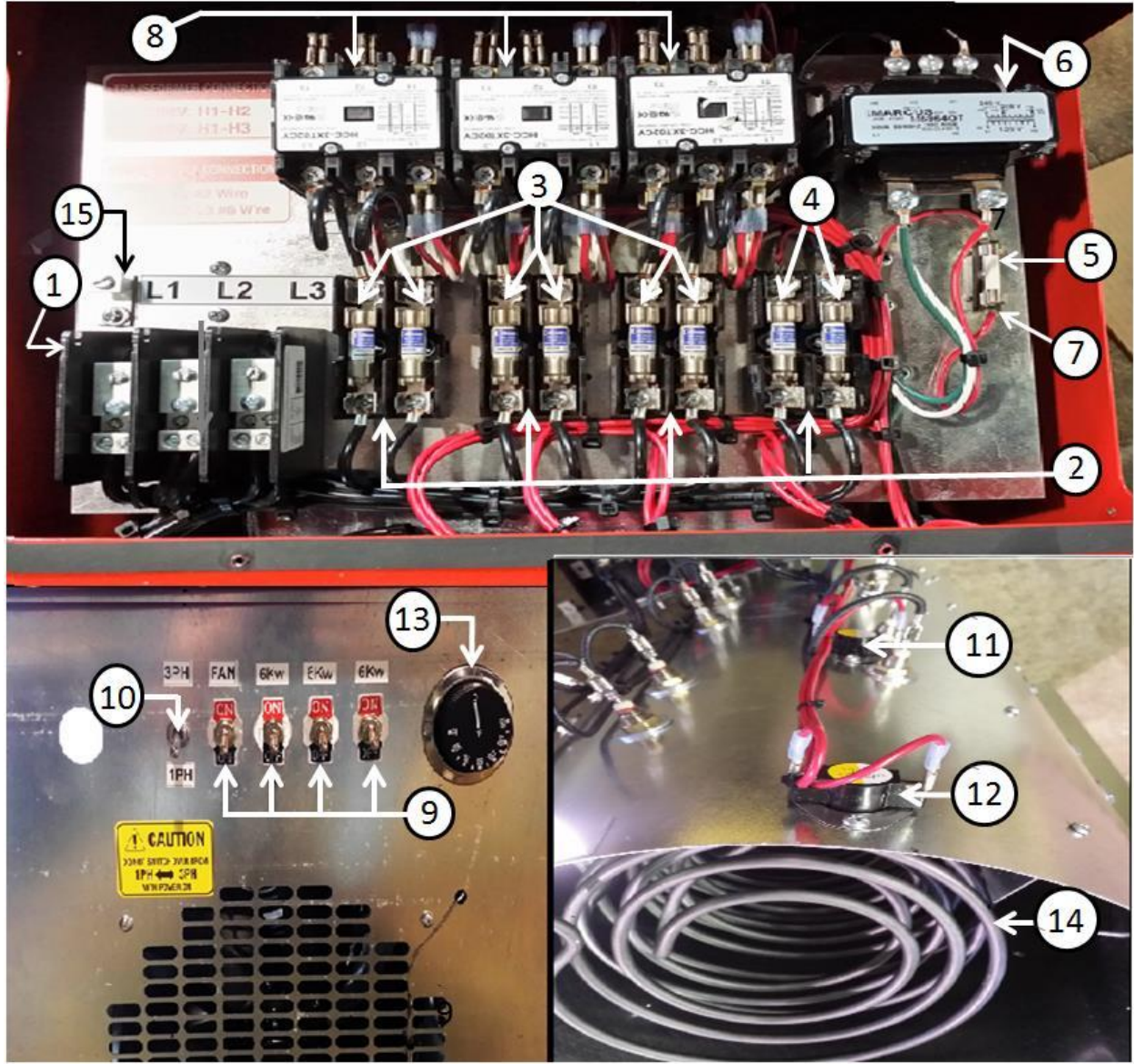


ITEM#	PART #	DESCRIPTION	QUANTITY
1	C50077	BASE	1
2	C50055	BARREL BRACKET	4
3	C50078	BARREL	1
4	C50079	TOP COVER	1
5	C50080	SUPPLY PANEL	1
6	C50081	ELECTRICAL PANEL	1
7	C50082	ELECTRICAL PANEL COVER PLATE	1
8	C50083	RETURN PANEL	1
9	C50005	BARREL SUPPORT BRACKET	2
10	C50084	BRACKET RIGHT	1
11	C50085	BRACKET LEFT	1
12	C50086	BAFFLE	2
13	C50087	CASTER MOUNT REAR	1
14	C50088	CASTER MOUNT FRONT	1
15	C50089	GRAB HANDLE	2

ECO BLAZE 18E (1PH/3PH)

16	C50102	FAN MOTOR P	1
17	C50090	CASTER	4

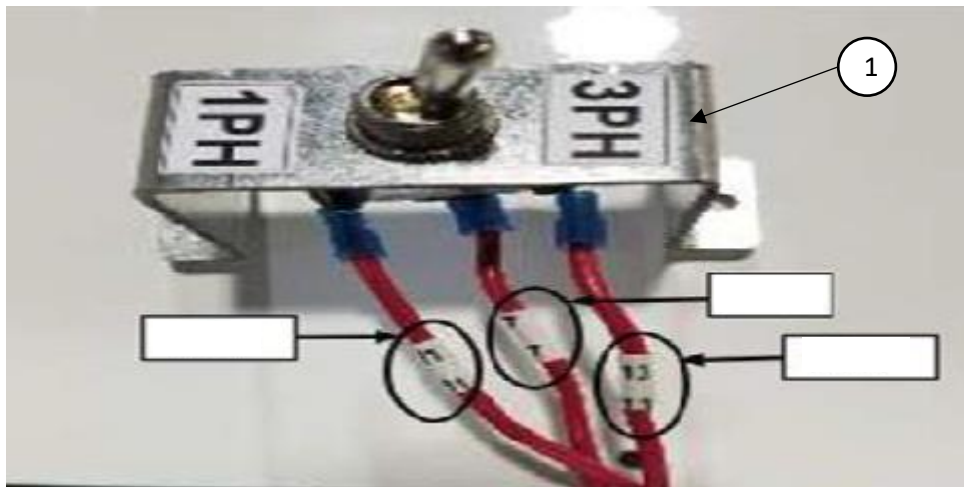
BLAZE 18E (1PH/3PH) CONTROL PANEL BREAKOUT REV 1 C60005 (Complete Control Panel Assembly)



ITEM#	PART #	DESCRIPTION	QUANTITY
1	C50091	SPLITTER BLOCK	1
2	C50092	FUSE HOLDER	4
3	C50093	30A T.D. FUSES	6
4	C50037	1 AMP TD FUSE	2
5	C50094	2A FUSE	1
6	C50095	TRANSFORMER	1

ECO BLAZE 18E (1PH/3PH)

7	C50096	FUSE HOLDER	1
8	C50097	CONTACTOR	3
9	C50032	SELECTOR SWITCH	4
10	C50098/C80911	SELECTOR SWITCH/ SELECTOR SWITCH FOR OLD MODEL	1
11	C90041	HIGH LIMIT SWITCH	1
12	C90037	FAN OVER-RIDE SWITCH	1
13	C50010	ADJUSTABLE THERMOSTAT	1
14	C50033	3KW ELEMENT	6
15	C70051	GROUND LUG	1
	C50011	ADJUSTABLE THERMOSTAT KNOB	1
	C50012	ADJUSTABLE THERMOSTAT BEZEL	1
	C50038	FUSE HOLDER	6
	C60016	6ft 6FT POWER CABLE	4
			6
			2
			4
			1



ITEM#	PART #	DESCRIPTION	QUANTITY
1	C81007	1PH 3PH BRACKET WITH LABEL	1

ECO BLAZE 18E (1PH/3PH)

BLAZE 18E (1PH/3PH) DECAL KIT BREAKOUT REV 0

p/n C50103 COMPLETE KIT

BLAZE 18E ELECTRIC CONSTRUCTION HEATER
 208/240V 1PH 6EA, 3PH 50A
 18KW, SCWR 10KA 60CY

READ EXACTLY INSTRUCTIONS FOR INDUSTRIAL USE ONLY

WARNING
 RISK OF FIRE - DO NOT USE AS A RESIDENTIAL OR HOUSEHOLD HEATER

AVERTISSEMENT
 RISQUE D'INCENDIE - NE PAS UTILISER COMME UNITE DE CHAUFFAGE RESIDENTIELLE

p/n C50104

BLAZE 18E ELECTRIC CONSTRUCTION HEATER
 208/240V 1PH 6EA, 3PH 50A
 18KW, SCWR 10KA 60CY

READ EXACTLY INSTRUCTIONS FOR INDUSTRIAL USE ONLY

WARNING
 RISK OF FIRE - DO NOT USE AS A RESIDENTIAL OR HOUSEHOLD HEATER

AVERTISSEMENT
 RISQUE D'INCENDIE - NE PAS UTILISER COMME UNITE DE CHAUFFAGE RESIDENTIELLE

p/n C50105

BLAZE 18E ELECTRIC CONSTRUCTION HEATER
 S/N B18-16-8888 Date of MFG: 201418

ELECTRICAL RATINGS:
 208/240V 1PH 6EA, 3PH 50A
 18KW, SCWR 10KA 60CY

1. POSITION HEATER ON A FLAT EVEN SURFACE
2. THIS HEATER SHOULD ALWAYS BE PLUGGED DIRECTLY INTO A WALL OUTLET/RECEPTACLE. AN EXTENSION CORD OR RELOCATABLE POWER TAP (OUTLET/POWER STRIP) SHOULD NEVER BE USED.

MINIMUM CLEARANCES FROM COMBUSTIBLE MATERIALS

OUTLET = 8 inch	FLOOR = 1 foot
TOP = 2 inch	REAR = 2 inch
FLOOR = COMBUSTIBLE	

4. DO NOT USE OUTDOORS. DO NOT EXPOSE TO RAIN, WATER SPRAY OR DRIPPING WATER.
5. WARNING RISK OF FIRE. DO NOT USE AS A RESIDENTIAL OR HOUSEHOLD HEATER.

BLAZE 18E CHAUFFAGE DE CONSTRUCTION ELECTRIQUE
 ÉVALUATION ELECTRIQUE: 208/240V 1PH 6EA, 3PH 50A
 18KW, SCWR 10KA 60CY

1. POSITIONNER RADIATEUR SUR UNE SURFACE PLATE.
2. CET APPAREIL DOIT TOUJOURS ETRE BRANCHE DIRECTEMENT DANS UNE PRISE / POURSERIEURALE. UNE RELIURE OU TAP POWER RELOCATABLE SORTIE / POWER STRIP DOIVENT JAMAIS ETRE UTILISES.

3. DEGAGEMENTS DES MATERIAUX COMBUSTIBLES

sortie = 8 poches	soléa = 1 poches
top = 2 poches	arrière = 2 poches
plancher = combustible	

4. NE PAS UTILISER A L'EXTERIEUR. NE PAS EXPOSER A LA PLUIE, VET D'EAU OU GOUTTES D'EAU.
5. AVERTISSEMENT RISQUE D'INCENDIE. NE PAS UTILISER COMME UN CHAUFFAGE RESIDENTIEL OU LE MENAGE.

p/n C50106

FOR INDUSTRIAL USE ONLY
WARNING
RISK OF FIRE - DO NOT USE AS A RESIDENTIAL OR HOUSEHOLD HEATER
 KEEP COMBUSTIBLE MATERIALS AWAY FROM FRONT OF HEATER
 STUDY THE INSTRUCTION BOOK BEFORE STARTING
AVERTISSEMENT
RISQUE D'INCENDIE - NE PAS UTILISER COMME UNITE DE CHAUFFAGE RESIDENTIELLE
 NE PAS UTILISER COMME UNITE DE CHAUFFAGE RESIDENTIELLE
 VEULEZ LIRE LE MANUEL D'INSTRUCTION ATTENTIVEMENT

CAUTION
RISK OF ELECTRIC SHOCK
DO NOT OPEN
NO USER-SERVICEABLE PARTS INSIDE
ATTENTION
risque de choc électrique
ne pas ouvrir
 Il n'y a pas de pièces à l'intérieur pour l'utilisateur

CAUTION
RISK OF ELECTRIC SHOCK
 KEEP ELECTRICAL CONTROL CORDS AND OTHER CORDS AT LEAST 3 FEET (30 CM) FROM THE POINT OF THE HEATER AND AWAY FROM THE SIDE AND REAR

6.6"x5.5"

14.5"x6.6" p/n C50107

WARNING - TO REDUCE THE RISK OF FIRE

AVERTISSEMENT - POUR RÉDUIRE LES RISQUES D'INCENDIE

NE PAS OUVRIR Ce tag

7.25"x7.25"

p/n C50114

Blaze 18E

p/n C50112 3"x2"

ONLY A QUALIFIED AND COMPETENT TECHNICIAN IS TO OPEN THIS PANEL

4"x2.75"

p/n C50110 3"x1.5"

TRANSFORMER CONNECTIONS

208V: H1-H2
240V: H1-H3

p/n C50111 3"x1.5"

POWER SUPPLY CONNECTIONS

1PH: L1-L2 #2 Wire
3PH: L1-L2-L3 #6 Wire

.5"x.75"

3PH 1PH FAN

p/n C50113

L1 L2 L3

.6"x3"

1"x1/2"

6Kw 6Kw 6Kw

x2
3"x15"

p/n C50108

CAUTION
RISK OF ELECTRIC SHOCK
DO NOT OPEN
NO USER-SERVICEABLE PARTS INSIDE
ATTENTION
risque de choc électrique
ne pas ouvrir
 Il n'y a pas de pièces à l'intérieur pour l'utilisateur

Campo Equipment

x2
6"x6"

C50103	BLAZE 18E DECAL KIT
--------	---------------------

ECO BLAZE 18E (1PH/3PH)

C50104	SERIAL NUMBER (VARIABLE DATA) FOR PACKAGING
C50105	SERIAL NUMBER (VARIABLE DATA) FOR UNIT COVER
C50106	YELLOW WARNING
C50107	RED WARNING
C50108	CAMPO LOGO
C50109	YELLOW CAUTION 1PH/3PH
C50110	TRANSFORMER CONNECTIONS
C50111	POWER SUPPLY CONNECTIONS
C50112	COMPETENT TECHNICIAN
C50113	BUTTON - 6KW,1PH,3PH,L1,L2,L3,FAN
C50114	BLAZE 18E