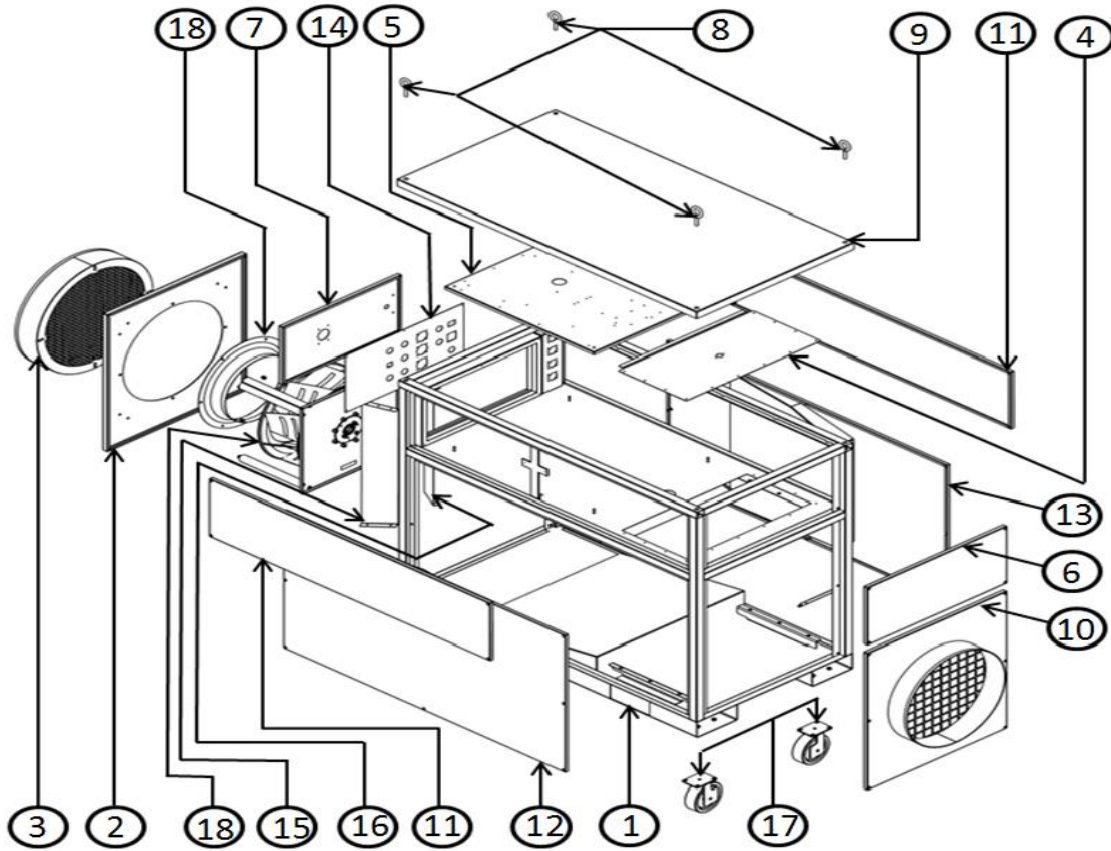


ECO BLAZE 150E (600V)

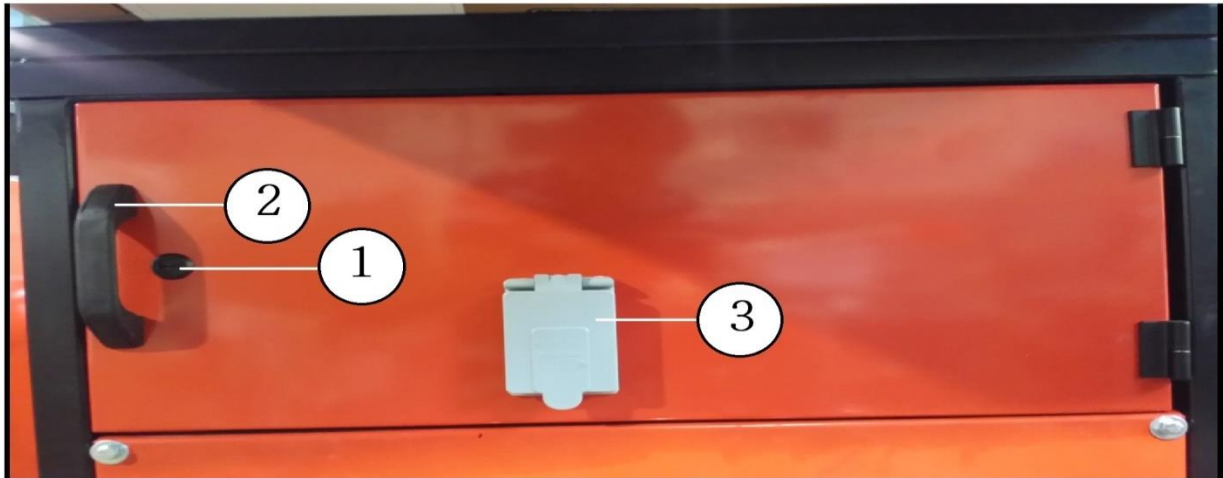
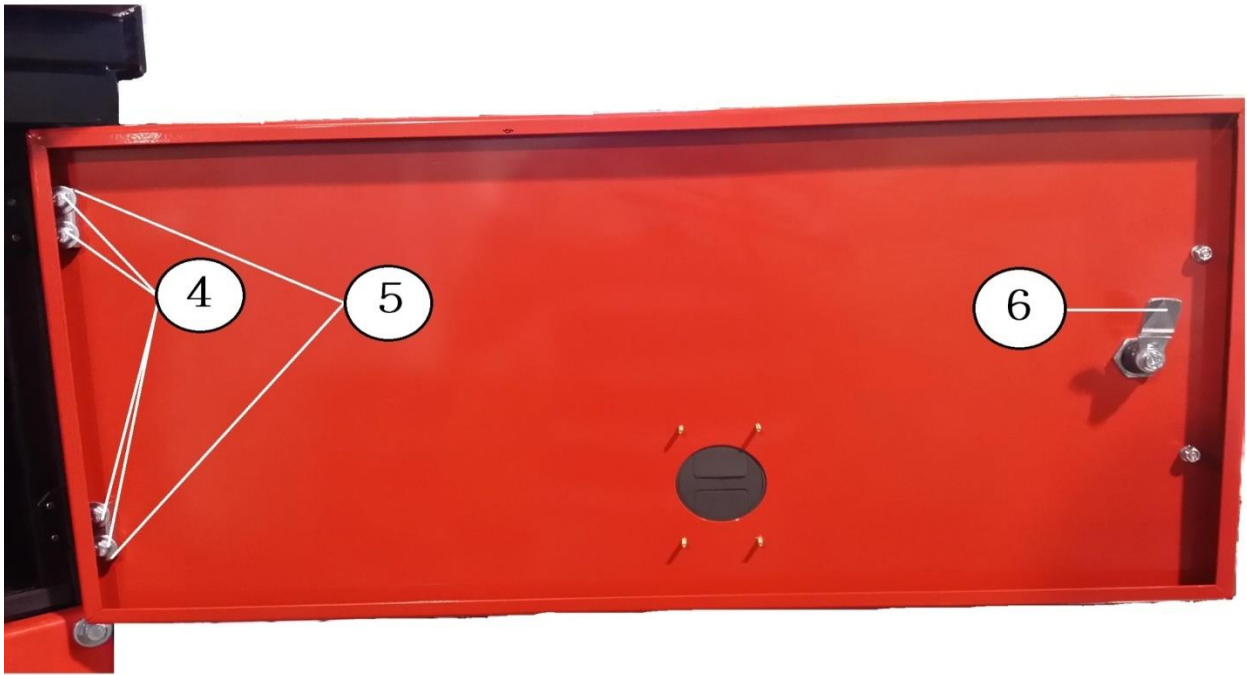
BLAZE 150E (600V) PARTS BREAKOUT REV 1



ITEM#	PART #	DESCRIPTION	QUANTITY
1	C50169	FRAME	1
2	C50170	FAN MOUNT	1
3	C80006	RETURN/SUPPLY RING	1
4	C50171	ACCESS PANEL	1
5	C50172	ELECTRICAL PANEL	1
6	C50173	PANEL	1
7	C50174	DOOR PANEL	1
8	C50175	EYE BOLT	4
9	C50176	TOP COVER	1
10	C50177	20" SUPPLY PANEL	1
11	C50178	TOP SIDE PANEL	2
12	C50179	PANEL LEFT	1
13	C50180	PANEL RIGHT	1
14	C50181	CONTROL PANEL	4
15	C50182	DEFLECTOR LEFT	1
16	C50183	DEFLECTOR RIGHT	1
17	C50218	CASTER	4
18	C50221	R-FAN	1

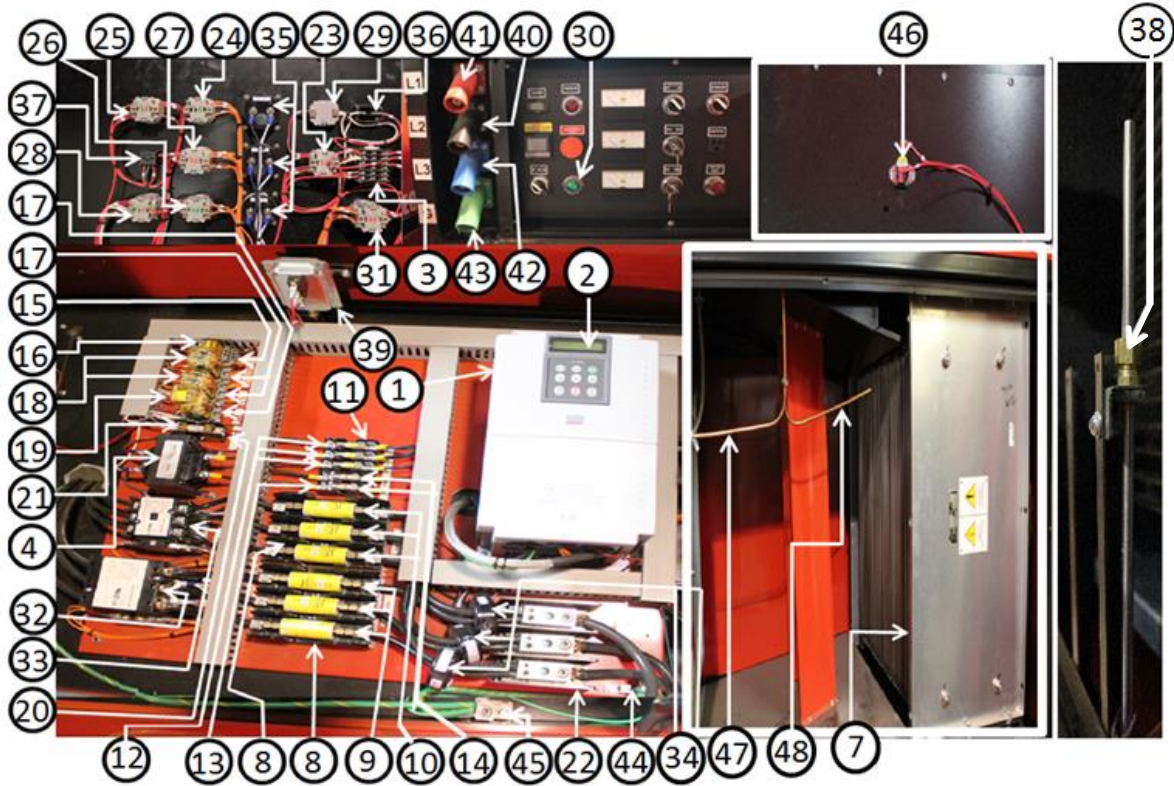
ECO BLAZE 150E (600V)

BLAZE 150E (600V) CONTROL PANEL BREAKOUT REV 1



POSITION	PART #	DESCRIPTION	
1	C70085	1/4 TURN LATCH, WITH RUBBER WASHER & NUT	1
2	C70087	GRAB HANDLE	1
3	C70072	FLIP LID COVER HOUSING	1
4	C70088	RIGHT SIDE HINGE	2
5	C70089	NUT PLATE FOR RIGHT SIDE HINGE	2
6	C70084	LATCH, CAM, ZINC	1

ECO BLAZE 150E (600V)



ITEM#	PART #	DESCRIPTION	QUANTITY
1	C50220	VFD	1
2	C80148	KEYPAD FOR VFD	1
3	C70059/	TEMPERATURE CONTROLLER	1
	C70059G	TEMPERATURE CONTROLLER – G Type	
4	C50222	TRANSFORMER	1
7	C50223	ELEMENT	1
8	C50188	FUSE HOLDER	2
9	C50224	100A FUSE	3
10	C50225	70A FUSE	3
11	C50191	FUSE HOLDER	1
12	C50192	20A FUSE	3
13	C50193	FUSE HOLDER	1
14	C50194	2A FUSE	2
15	C70042	RELAY BASE	1
16	C70041	RELAY	1
17	C70036	RELAY BASE	3
18	C50195	RELAY	2
19	C70035	LATCH RELAY	1
20	C50196	FUSE HOLDER	1
21	C50197	2A 250V FUSE	1

ECO BLAZE 150E (600V)

22	C50226	SPLITTER BLOCK	1
23	C50199	PUSH-PULL	1
24	C50200	SELECTOR SWITCH	1
25	C50201	SELECTOR SWITCH	1
26	C50202	SELECTOR SWITCH	1
27	C50203	SELECTOR SWITCH	1
28	C50204	ILLUMINATED P.B. RED	1
29	C50205	RED PILOT LIGHT	1
30	C50206	GREEN PILOT LIGHT	1
31	C50207	SELECTOR SWITCH	1
32	C50209	CONTACTOR	1
33	C50227	CONTACTOR	1
34	C50210	CURRENT TRANSFORMERS	3
35	C50228	AMMETERS	3
36	C70060	HOUR METER	1
37	C90029	OUTLET FOR PLUG	1
38	C90088	THERMOCOUPLE ASSEMBLY	1
39	C50212	FLOW SWITCH	1
40	C50131	BLACK CAM LOCK	1
41	C50132	RED CAM LOCK	1
42	C50133	BLUE CAM LOCK	1
43	C50134	GREEN CAM LOCK	1
44	C50280	GROUND LUG	1
45	C50281	GROUND LUG	1
46	C80031	SNAP DISC FAN CONTROL	1
47	C50278	27" COPPER TUBING FROM FAN TO FLOW SWITCH	1
48	C50279	25" COPPER TUBING FROM FLOW SWITCH TO ELEMENT	1
		FOR 24 VOLT CONFIGURATION	
	C50213	24V RELAY	
	C50214	SOCKET	
	C50215	TRANSFORMER	
	C50216	FUSE HOLDER	
	C50217	1A FUSE	

ECO BLAZE 150E (600V)

p/n C50295 COMPLETE KIT

p/n C50296



p/n C50284



p/n C50290



p/n C50291



p/n C50286



p/n C50287



p/n C50288



p/n C50289



p/n C50294



L1 L2 L3 G

p/n C50285



p/n C50293



p/n C50292



C50295	BLAZE 150E (600V) DECAL KIT
C50296	SERIAL NUMBER (VARIABLE DATA)
C50284	CAMPO LOGO
C50285	CAUTION - SHOCK RISK
C50286	CAUTION - BURN/FIRE HAZ.
C50287	CAUTION CAM LOCKS...
C50288	DANGER - MOVING PARTS
C50289	DANGER - HAZ. VOLTAGE
C50290	CAUTION - AIR FLOW BLOCK
C50291	MUST BE GROUNDED
C50292	BLAZE 150 E
C50293	ECOBLAZE
C50294	BUTTONS