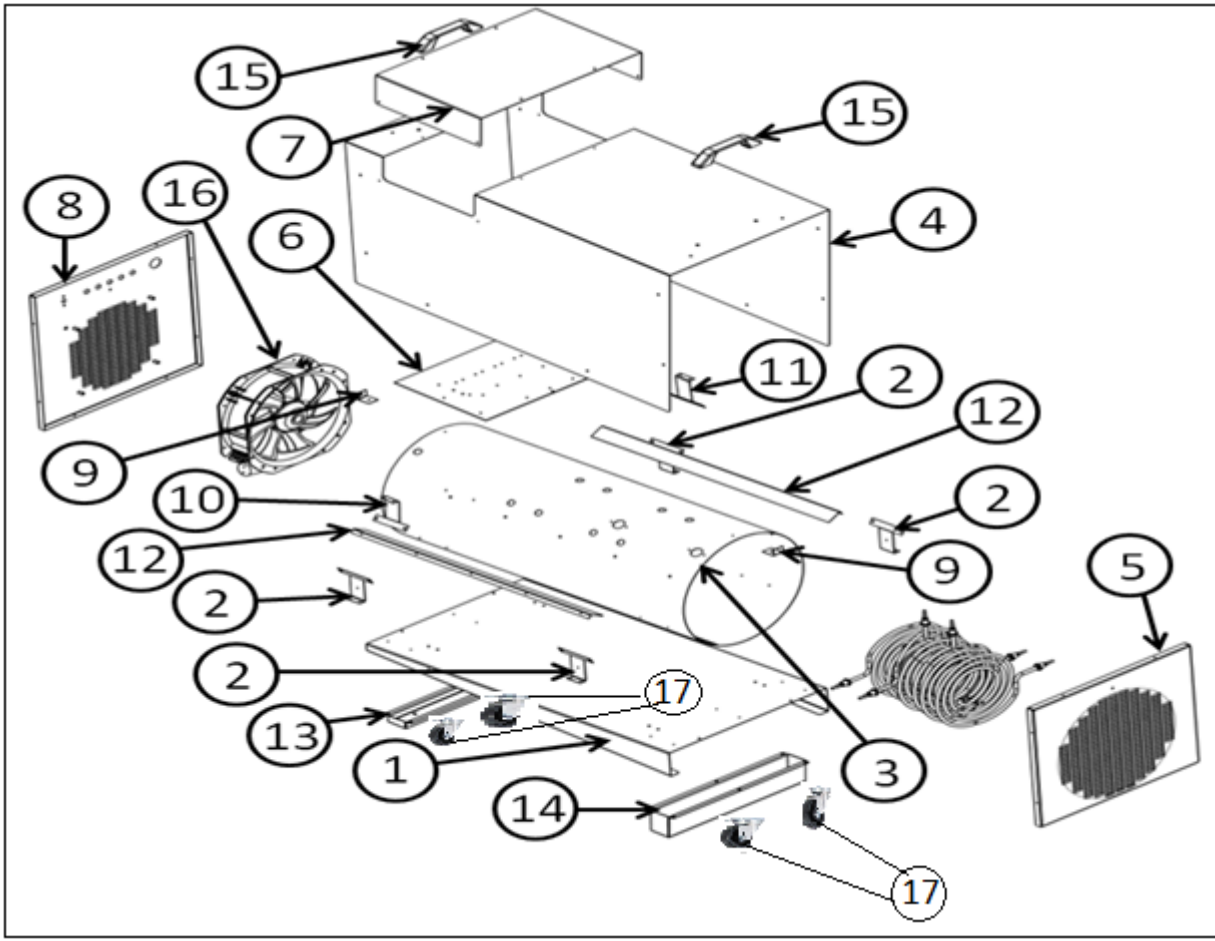


ECO BLAZE 18E (1PH/3PH)

BLAZE 18E (1PH/3PH) PARTS BREAKOUT REV 1

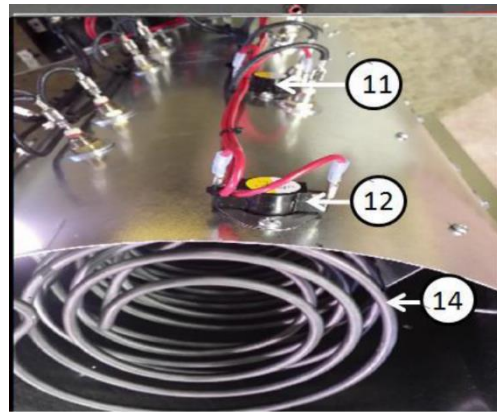
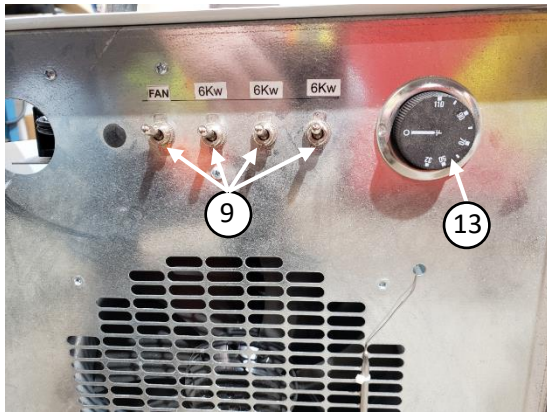
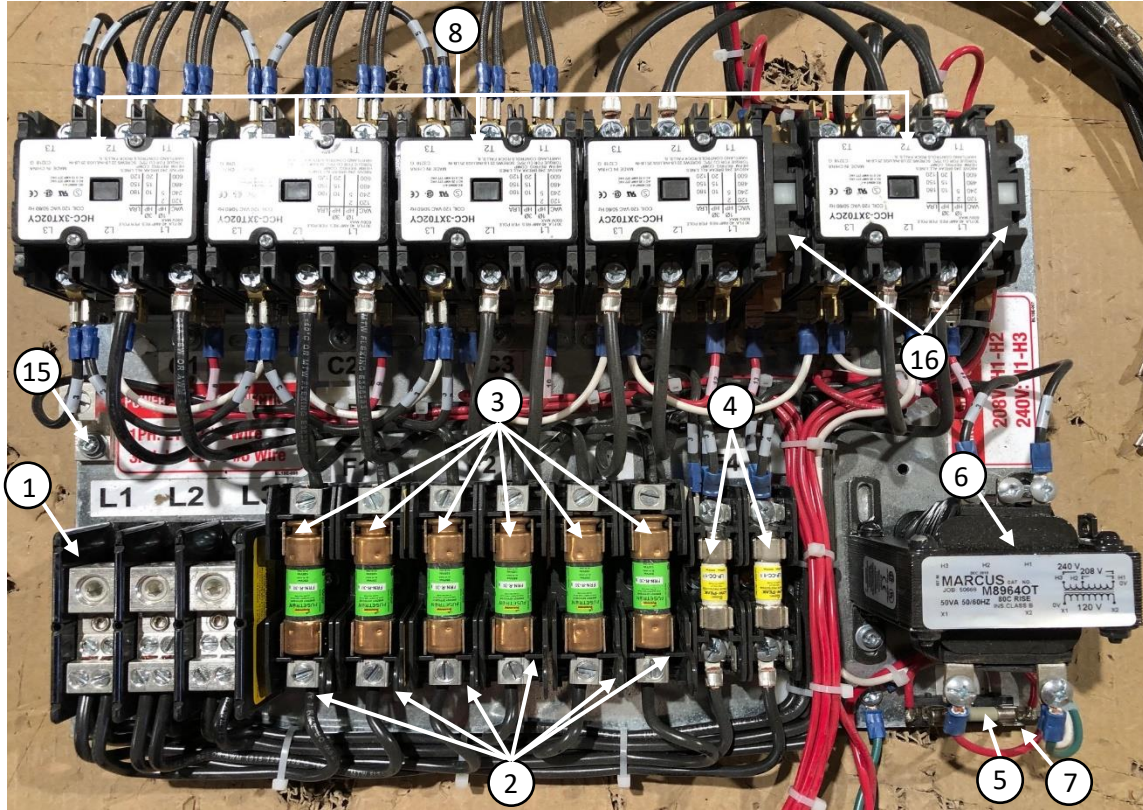


ITEM#	PART #	DESCRIPTION	QUANTITY
1	C50077	BASE	1
2	C50055	BARREL BRACKET	4
3	C50078	BARREL	1
4	C50079	TOP COVER	1
5	C50080	SUPPLY PANEL	1
6	C50081	ELECTRICAL PANEL	1
7	C50082	ELECTRICAL PANEL COVER PLATE	1
8	C50083	RETURN PANEL	1
9	C50005	BARREL SUPPORT BRACKET	2
10	C50084	BRACKET RIGHT	1
11	C50085	BRACKET LEFT	1
12	C50086	BAFFLE	2
13	C50087	CASTER MOUNT REAR	1
14	C50088	CASTER MOUNT FRONT	1
15	C50089	GRAB HANDLE	2

ECO BLAZE 18E (1PH/3PH)

16	C50102	FAN MOTOR P	1
17	C50090	CASTER	4

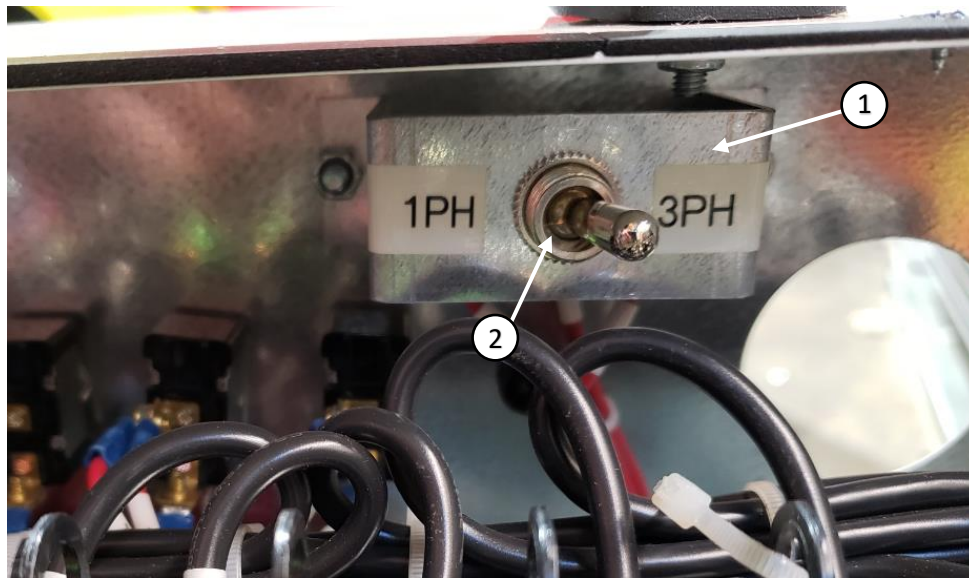
BLAZE 18E (1PH/3PH) CONTROL PANEL BREAKOUT REV 1 C60005 (Complete Control Panel Assembly)



ITEM#	PART #	DESCRIPTION	QUANTITY
1	C50091	SPLITTER BLOCK	1
2	C50092	FUSE HOLDER	6
3	C50093N	30A T.D. FUSES	6
4	C50037	1 AMP TD FUSE	2

ECO BLAZE 18E (1PH/3PH)

5	C50094	2A FUSE	1
6	C50095	TRANSFORMER	1
7	C50096	FUSE HOLDER	1
8	C50097	CONTACTOR	5
9	C50032	SELECTOR SWITCH	4
11	C90041	HIGH LIMIT SWITCH	1
12	C90037	FAN OVER-RIDE SWITCH	1
13	C50010	ADJUSTABLE THERMOSTAT	1
14	C50033	3KW ELEMENT	6
15	C70051	GROUND LUG	1
16	C50242	AUX. CONTACT	2
	C50011	ADJUSTABLE THERMOSTAT KNOB	1
	C50012	ADJUSTABLE THERMOSTAT BEZEL	1
	C50038	FUSE HOLDER	6
	C60016 6ft	6FT POWER CABLE	4
	Optional Part		
	C82198	40A BREAKER	3



ITEM#	PART #	DESCRIPTION	QUANTITY
1	C81007	1PH 3PH BRACKET WITH LABEL	1
2	C50098/C80911	SELECTOR SWITCH/ SELECTOR SWITCH FOR OLD MODEL	1

ECO BLAZE 18E (1PH/3PH)

BLAZE 18E (1PH/3PH) DECAL KIT BREAKOUT REV 0

p/n C50103 COMPLETE KIT



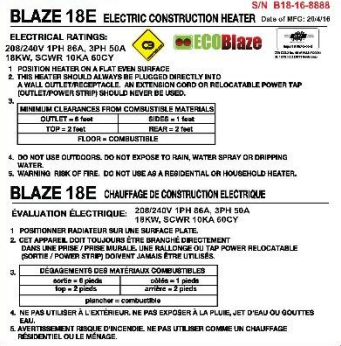
14.5"x6.6" p/n C50107



p/n C50104



p/n C50105



7.25"x7.25"

p/n C50106



6.6"x5.5"

p/n C50109



2.5"x1.5"

p/n C50114

Blaze 18E

p/n C50112 3"x2"



.5"x.75"

3PH 1PH FAN

p/n C50113

4"x2.75"

p/n C50110 3"x1.5"



p/n C50111 3"x1.5"



1"x1/2"

6Kw 6Kw 6Kw

x2 3"x15"

p/n C50108



x2 6"x6"

C50103	BLAZE 18E DECAL KIT
C50104	SERIAL NUMBER (VARIABLE DATA) FOR PACKAGING
C50105	SERIAL NUMBER (VARIABLE DATA) FOR UNIT COVER
C50106	YELLOW WARNING
C50107	RED WARNING
C50108	CAMPO LOGO
C50109	YELLOW CAUTION 1PH/3PH
C50110	TRANSFORMER CONNECTIONS
C50111	POWER SUPPLY CONNECTIONS
C50112	COMPETENT TECHNICIAN
C50113	BUTTON - 6KW,1PH,3PH,L1,L2,L3,FAN
C50114	BLAZE 18E