



BLAZE 18E ELECTRIC FAN HEATER

PRODUCT MANUAL



IMPORTANT

READ AND UNDERSTAND THIS MANUAL BEFORE ASSEMBLING, STARTING OR SERVICING THE HEATER. IMPROPER USE OF HEATER CAN CAUSE SERIOUS INJURY. KEEP THIS MANUAL FOR FUTURE REFERENCE.

FOR PROFESSIONAL USE ONLY

READ ALL INSTRUCTIONS BEFORE USING THIS HEATER

SAVE THESE INSTRUCTIONS

1. This heater is hot when in use. To avoid burns, do not let bare skin touch hot surfaces. Use handle when moving this heater. Keep combustible materials at least 6 feet (2 meter) from the front of the heater and keep them away from sides and rear
2. Extreme caution is necessary when the heater is used near children or invalids and whenever the heater is left unattended
3. Always unplug the heater when not in use
4. Do not operate any heater with a damaged cord or plug or after the heater malfunctions, has been dropped or damaged in any manner. Return heater to authorized service facility for examination, electrical or mechanical adjustment or repair
5. Do not use outdoors. Do not expose to rain, water spray or dripping water
6. This heater is not intended for use in bathrooms, laundry areas and similar indoor locations. Never locate the heater where it may fall into a bathtub or other liquid container
7. Do not run cord under carpeting. Do not cover cord with throw rugs, runners, or the like. Arrange cord away from traffic area and where it will not be tripped over
8. To disconnect heater, turn controls to off, then remove plug from outlet
9. Connect to properly grounded outlets only
10. Do not insert or allow foreign objects to enter any ventilation or exhaust opening as this may cause an electric shock or fire, or damage the heater
11. To prevent a possible fire, do not block air intakes or exhaust in any manner. Do not use on soft surfaces, where openings may become blocked
12. A heater has hot and arcing or sparking parts inside. Do not use in areas where gasoline, paint or flammable liquids are used or stored
13. Do not point to flammable materials
14. Use heater only as described in this manual. Any other use not recommended by the manufacturer may cause fire, electric shock or injury to persons
15. Avoid use of an extension cord because it may overheat and cause a risk of fire. However, if you have to use an extension cord, the cord shall be a three (3) wire grounded cord (check minimum size from specifications)

GENERAL INFORMATION FOR USER

Eco blaze electric heaters are designed for professional use.

The heat is generated in sealed heating elements inside the inner mantle of the heater. Heated air is then distributed by an electric motor driven fan blowing air through the heater.

Although effectively cooled by the fan, the heating elements have high surface temperatures. That is why combustible materials must be kept at a safe distance from the heater and care must be taken that no combustible particles enter the heater with the air sucked in by the fan.

Keep the heater clean of dust at any time. Dust may cause fire when heated.

Make sure that the fan blades may rotate unobstructed at all times.

Do not block air intakes or exhaust in any manner.

LIMITED WARRANTY

ECOBLAZE heater products are professional construction heaters. They are warranted for twelve (12) months from original date of purchase. The warranty does not cover products modified outside our factory, damage or failure caused by acts of God, abuse, misuse, use on other than rated voltage, abnormal usage, faulty or improper installation, failure to provide recommended maintenance or any repairs other than those provided by an authorized ECOBLAZE service.

THERE ARE NO OBLIGATIONS OR LIABILITIES ON THE PART OF ECOBLAZE. FOR CONSEQUENTIAL DAMAGES ARISING OUT OF OR IN CONNECTION WITH THE USE OR PERFORMANCE OF THE PRODUCT OR OTHER INDIRECT DAMAGES WITH RESPECT TO LOSS OF PROPERTY, REVENUES, OR PROFIT, OR COST OF REMOVAL, INSTALLATION OR REINSTALLATION.

THIS WARRANTY CONSTITUTES THE EXCLUSIVE REMEDY OF ANY PURCHASER OF EQUIPMENT SOLD BY THE MANUFACTURER AND ITS DEALERS AND DISTRIBUTORS AND IS IN LIEU OF ALL OTHER WARRANTIES, EXPRESS OR IMPLIED.

During the warranty period, ECOBLAZE will, at its sole option, repair or replace any defective parts or products returned, freight prepaid, to ECOBLAZE or such other location as ECOBLAZE may designate.

Returned products must be packaged carefully, and ECOBLAZE shall not be responsible for damage in transit. When returning parts, the owner must provide the model number of the product and the nature of difficulty being experienced. This warranty does not oblige ECOBLAZE to bear the cost of labour in replacing any assembly, unit or component or part thereof, nor does the company assume any liability for secondary charges, expenses of removal or installing, freight or damages. There will be charges rendered for product repair after our warranty period has expired. Proof of purchase, including date, must accompany request for in-warranty service.

OPERATION

REVIEW AND UNDERSTAND ALL WARNINGS IN THIS MANUAL. THEY ARE ESSENTIAL FOR SAFE USE OF THE HEATER.

FOLLOW ALL LOCAL CODES

This heater is for use on 208 to 240 volts MAX, 3PH OR 1PH

Unit not supplied with power cord or plug

50-ft (6AWG, 4-wire, SOOW)
100-ft (4AWG, 4-wire, SOOW)

Toggle Switch: Turns fan on and off

Adjustable Thermostat Dial with 32F to 150F markings turns heater elements on to reach selected ambient temperature setting and off once the selected ambient temperature setting is satisfied.

TO START HEATING:

1. Place the heater on a stable and level surface. Make sure that no explosive or combustible fumes or dust are present

MINIMUM CLEARANCES FROM COMBUSTABLE MATERIALS	
OUTLET = 6 feet	SIDES = 1 foot
TOP = 2 feet	REAR = 2 feet
FLOOR = COMBUSTABLE	

2. Connect power cord of heater into 240 V (MAX) / 60 Hz power source. See paragraph "Technical specifications" in this manual for correct amperage rating
3. Turn on the desired element toggle switches.
4. Set the room thermostat from "heat off" position to a temperature above the ambient room temperature by turning the knob. Note! The heater will start heating only if the thermostat "calls for heat" meaning that it is set to higher than prevailing ambient temperature
5. The heater will now operate automatically, controlled by the thermostats

TO STOP HEATING

1. Turn the room thermostat to the "OFF" position OR turn element switches to off position.
2. Let the fan cool down heater for 2-3 minutes OR until cooling fan stops on it's own.
3. Disconnect the power supply plug

NOTE!

THE HEATER IS EQUIPPED WITH AN OVERHEAT LIMIT SWITCH WHICH MAY CAUSE THE HEATER TO STOP. CHECK AND REMOVE THE CAUSE FOR OVERHEATING BEFORE RESTARTING.

MAINTENANCE

WARNING!

NEVER SERVICE THE HEATER WHILE IT IS PLUGGED IN, RUNNING OR HOT. SEVERE BODILY INJURY OR ELECTRIC SHOCK MAY OCCUR.

ONLY QUALIFIED PERSONS ARE ALLOWED TO OPEN HEATER FOR SERVICE. NO USER-SERVICE-ABLE PARTS INSIDE.

- Keep heater clean. Use pressurized air to blow fan blades clean. Note! Use moderate pressure to avoid damage to fan blades
- Inspect heater before and after each use
- The fan motor is sealed and has permanently lubricated bearings

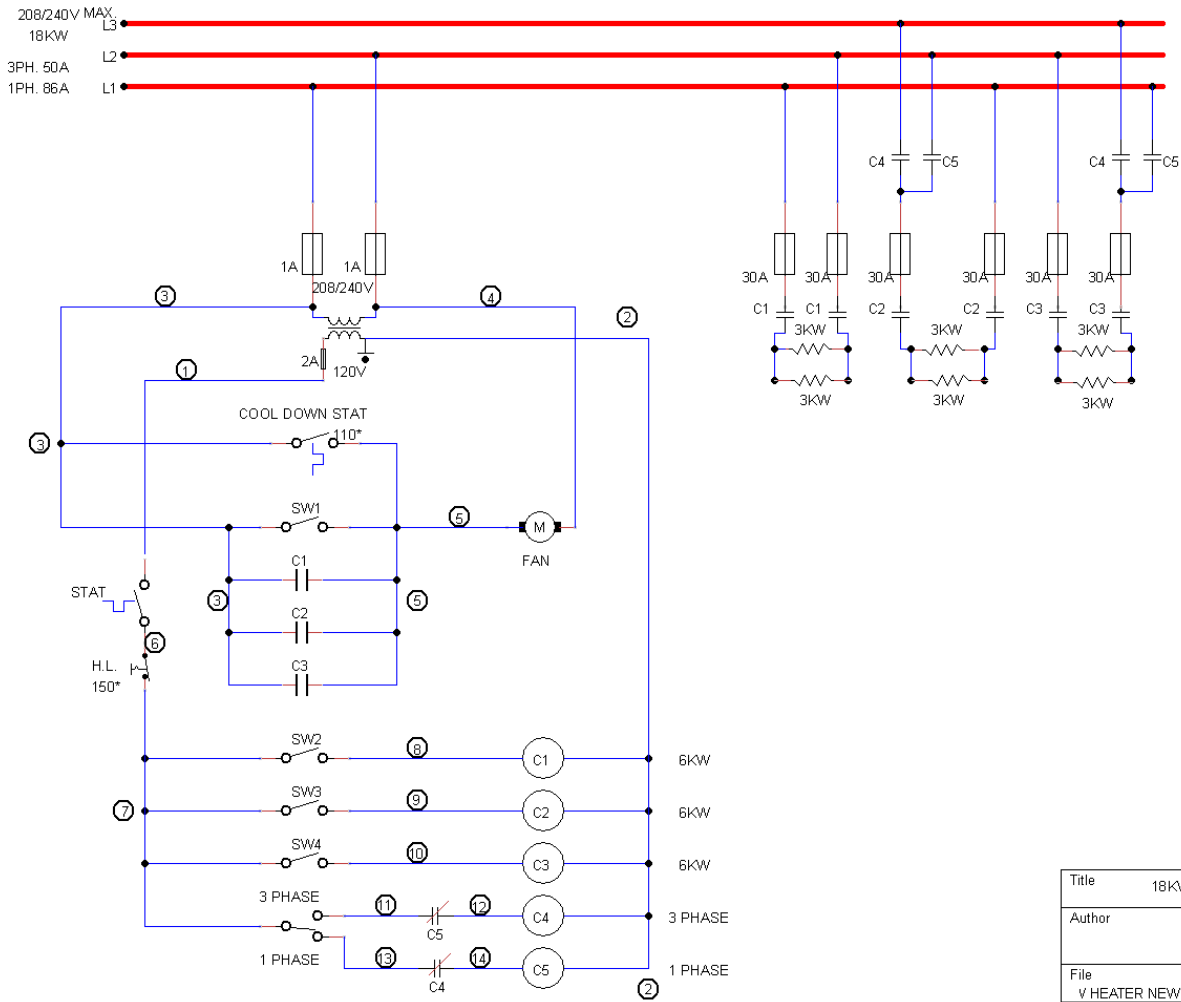
STORAGE

When not in use, the heater must be disconnected from power source, cleaned of dust and stored in a dry place.

The power supply cord should be loosely wound around the handle of the heater.

TECHNICAL SPECIFICATIONS

HEAT OUTPUT	BTU/Hr	32,500 (9,000W)/65,000 (18,000W)
AIRFLOW	CFM	2,500
ELECTRIC CONNECTION	V ac / Hz	208 TO 240 (MAX) / 60 3PH or 1PH
AMPERAGE DRAW	A	3PH 21/42, 1PH 37.5/75
MAX POWER CORD		3PH 50-ft (6AWG, 4-wire, SOOW) - 1PH 4AWG 3PH 100-ft (4AWG, 4-wire, SOOW) - 1PH 2AWG
AMBIENT THERMOSTAT	temp. range	32 - 150 °F (0 - 65 °C)
LENGTH	inches	35.44
WIDTH	inches	17.46
HEIGHT	inches	19.47
WEIGHT	lbs	15



Title 18KW HEATER - ELECTRICAL SCHEMATIC		
Author		
File _V HEATER NEW SCHEMATIC.autosave.autosave	Document	
Revision 1.0	Date	Sheets 1 of 1

ECOBLAZE

CAMPO EQUIPMENT CO. LTD.

1-866-323-0042

www.campequipment.com