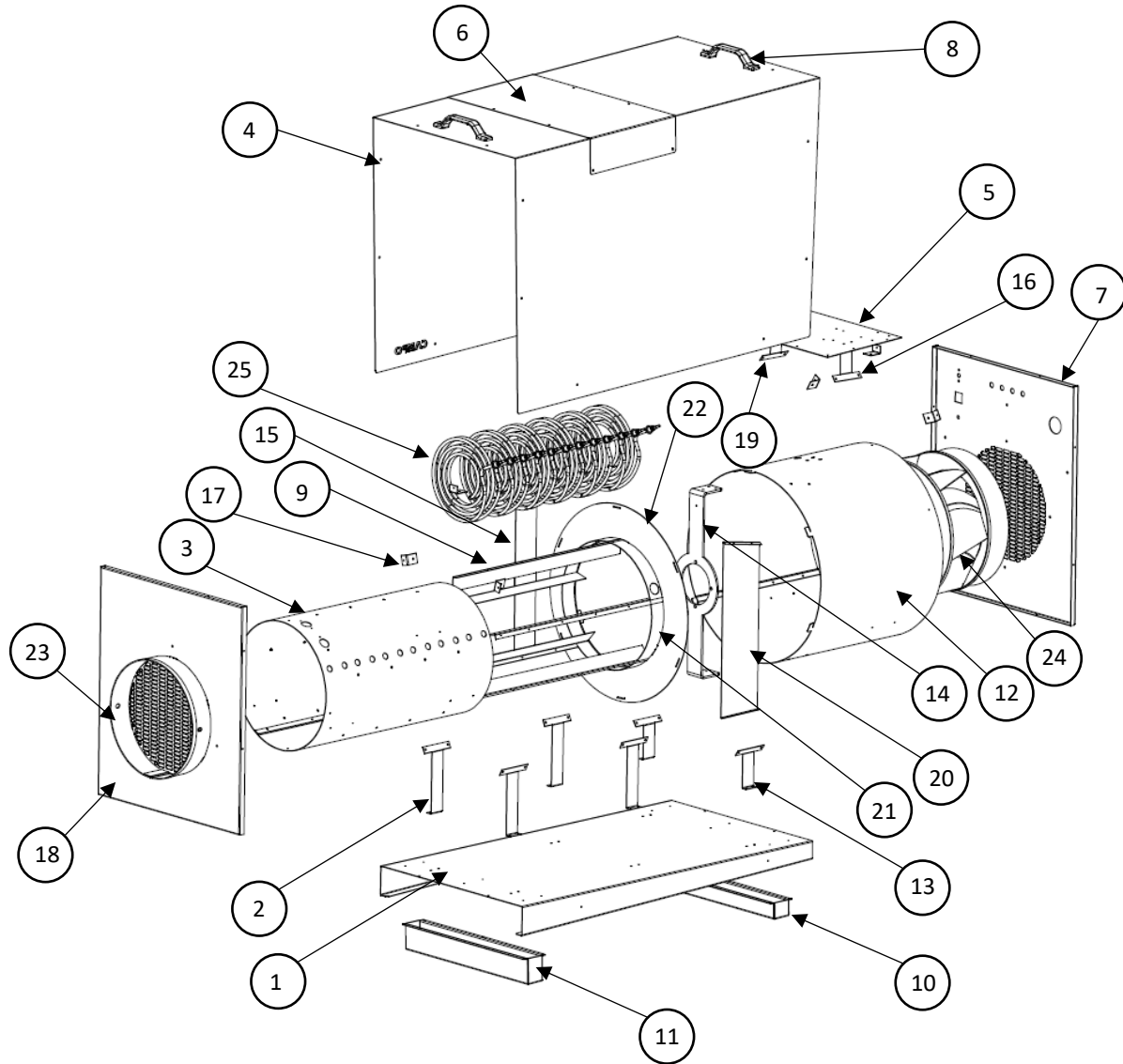


# ECO BLAZE 30E

## BLAZE 30E 480V PARTS BREAKOUT REV 0

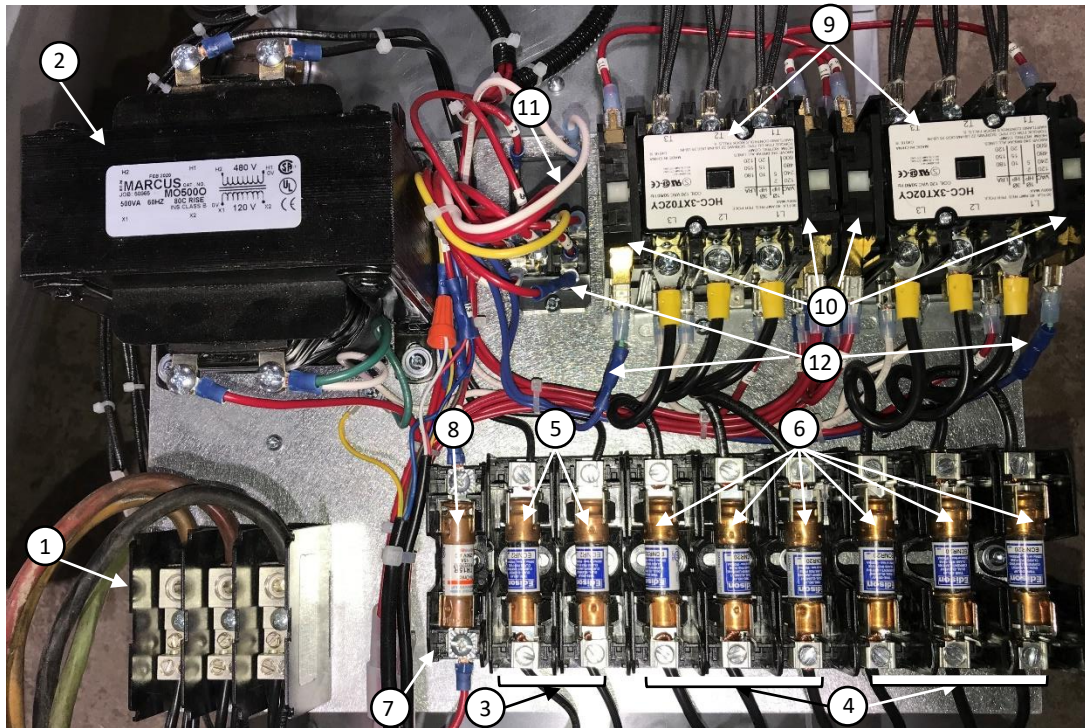


ITEM#	PART #	DESCRIPTION	QUANTITY
1	C80135	BOTTOM CASE	1
2	C80136	CYLINDER MOUNT	4
3	C80137	BARREL	1
4	C80138	OUTSIDE COVER	1
5	C80139	ELECTRICAL PLATE	1
6	C80140	COVER PANEL	1
7	C80141	REAR GRILL	1
8	C50089	GRAB HANDLE	2
9	C80142	AIR DEFLECTOR	5
10	C80143	CASTER MOUNT REAR	1

## ECO BLAZE 30E

11	C80144	CASTER MOUNT FRONT	1
12	C80145	FAN DRUM	1
13	C80146	CYLINDER MOUNT 2	2
14	C80147	FAN MOUNT	1
15	C80148	AIR DEFLECTOR CONFIGURATION - A	1
16	C80149	ELECTRICAL PANEL MOUNT LEFT	1
17	C80150	BRACKET	6
18	C80151	SUPPLY PANEL	1
19	C80152	ELECTRICAL PANEL MOUNT RIGHT	1
20	C80153	AIR DEFLECTOR CONFIGURATION - B	1
21	C80154	INNER RING	1
22	C80155	OUTER RING	1
23	C80174	12" RING	1
24	C20056	FAN/MOTOR	1
25	C80156	5KW 480V ELEMENTS	6
26	C82281	BLAZE 30E WHEEL	2

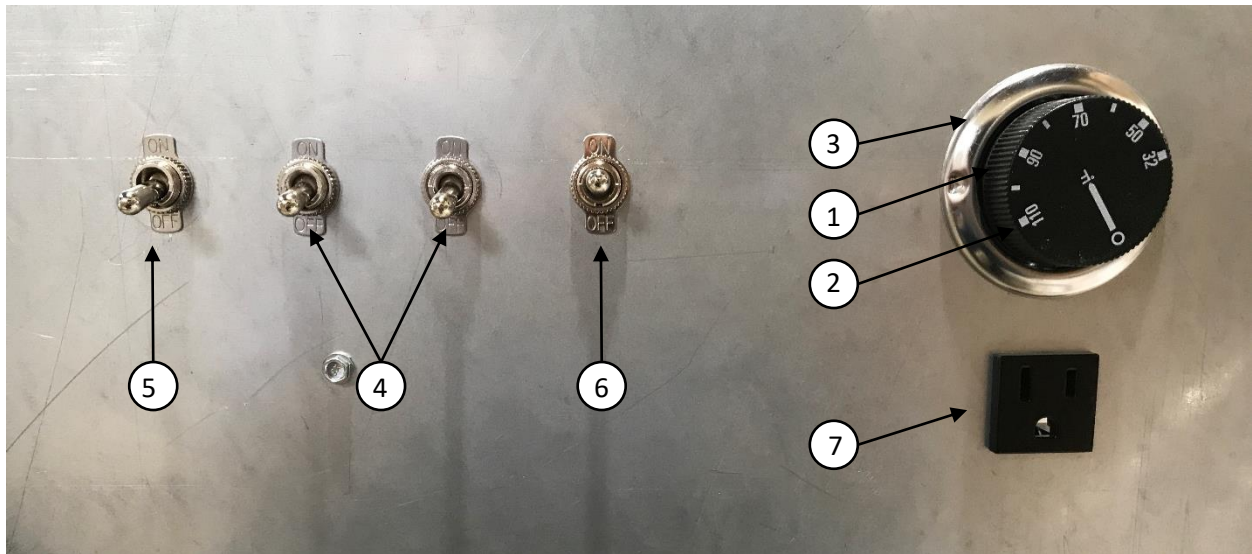
### BLAZE 30E CONTROL PANEL BREAKOUT REV 0 C80157 (Complete Control Panel Assembly)



ITEM#	PART #	DESCRIPTION	QUANTITY
1	C50091	90A SPLITTER BLOCK	1
2	C80159	500VA 480V / 120V TRANSFORMER MARCUS	1
3	C50240	30A 600V 2P FUSE HOLDER	1

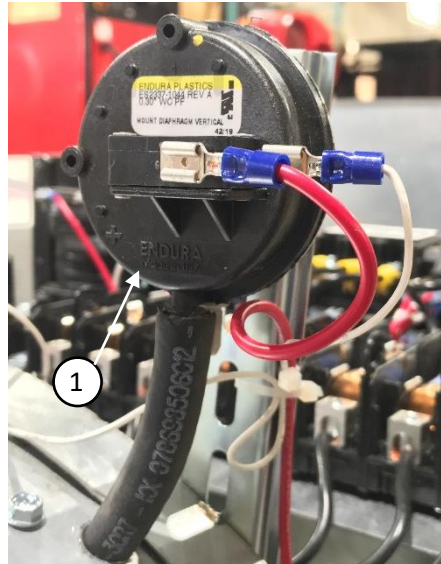
## ECO BLAZE 30E

4	C50135	30A 600V 3P FUSE HOLDER	2
5	C80160	2A 600V T.D. FUSE	2
6	C80161	20A 600V T.D. FUSE	6
7	C50141	30A 250V 1P FUSE HOLDER	1
8	C80162	6A 250V T.D. FUSE	1
9	C50097	40A CONTACTOR 120V COIL	2
10	C80163	SPDT AUX. CONTACT	4
11	C90050N	RELAY (#92A11A22D-120 or #RPF2BF7)	1
12	C80164	OHMS	3
13	C70051	GROUND LUG	1

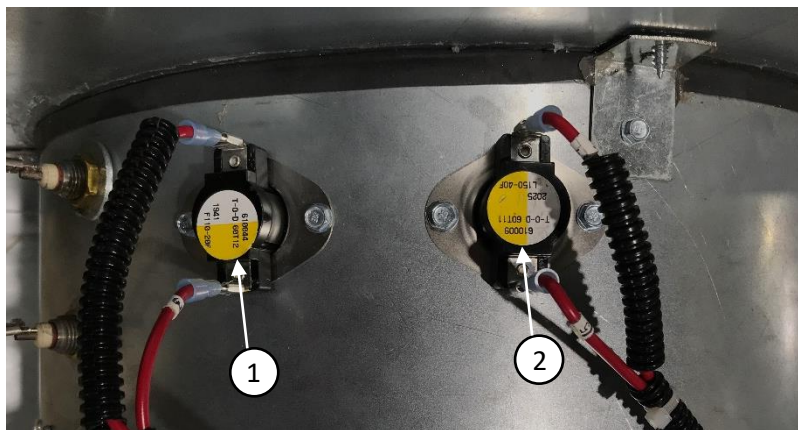


ITEM#	PART #	DESCRIPTION	QUANTITY
1	C50010	Adjustable thermostat	1
2	C50011	Adjustable thermostat Knob	1
3	C50012	Adjustable thermostat Bezel	1
4	C40084	SPST TOGGLE SWITCH	2
5	C80158	DPDT TOGGLE SWITCH ON - OFF	1
6	C90026	SPDT TOGGLE SWITCH ON - OFF - ON	1
7	C90029	RECEPTACLE	1

# ECO BLAZE 30E



ITEM#	PART #	DESCRIPTION	QUANTITY
1	C50155	0.30WC ES2000 AIR SWITCH	1



ITEM#	PART #	DESCRIPTION	QUANTITY
1	C90037	Fan Over-ride Switch	1
2	C90041	High Limit Switch	1

# ECO BLAZE 30E

## BLAZE 30E DECAL KIT BREAKOUT REV 0 (C80165)

**C80166**

**C80167**

**C80168**

**C80169**

**C80170**

**C80171**

**C80172**

**C80173**

# Blaze 30E

# Blaze 30E

C80165	BLAZE 30E DECAL KIT
C80166	BLAZE 30E DECAL - SHORT OPERATING INSTRUCTIONS ENGLISH & FRENCH
C80167	BLAZE 30E DECAL - WARNING ELECTRIC SHOCK
C80168	BLAZE 30E DECAL - ELECTRICAL RATINGS
C80169	BLAZE 30E DECAL -CAMPO LOGO
C80170	BLAZE 30E DECAL - BLAZE 30E LOGO
C80171	BLAZE 30E DECAL - SWITCH LABEL
C80172	BLAZE 30E DECAL - WARNING FIRE
C80173	BLAZE 30E DECAL – COMPETENT TECHNICIAN