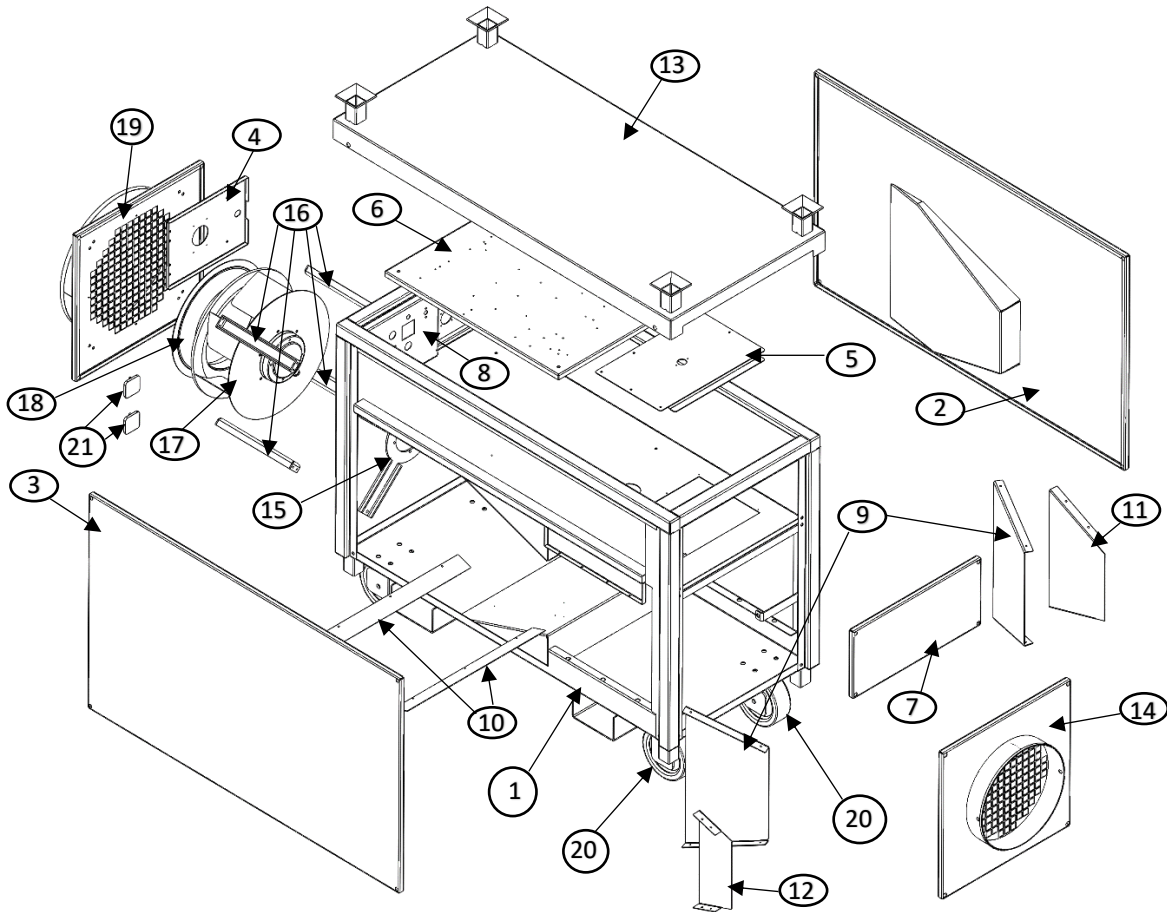


ECO BLAZE 60E (480V/600V)

BLAZE 60E (480V/600V) PARTS BREAKOUT REV 2



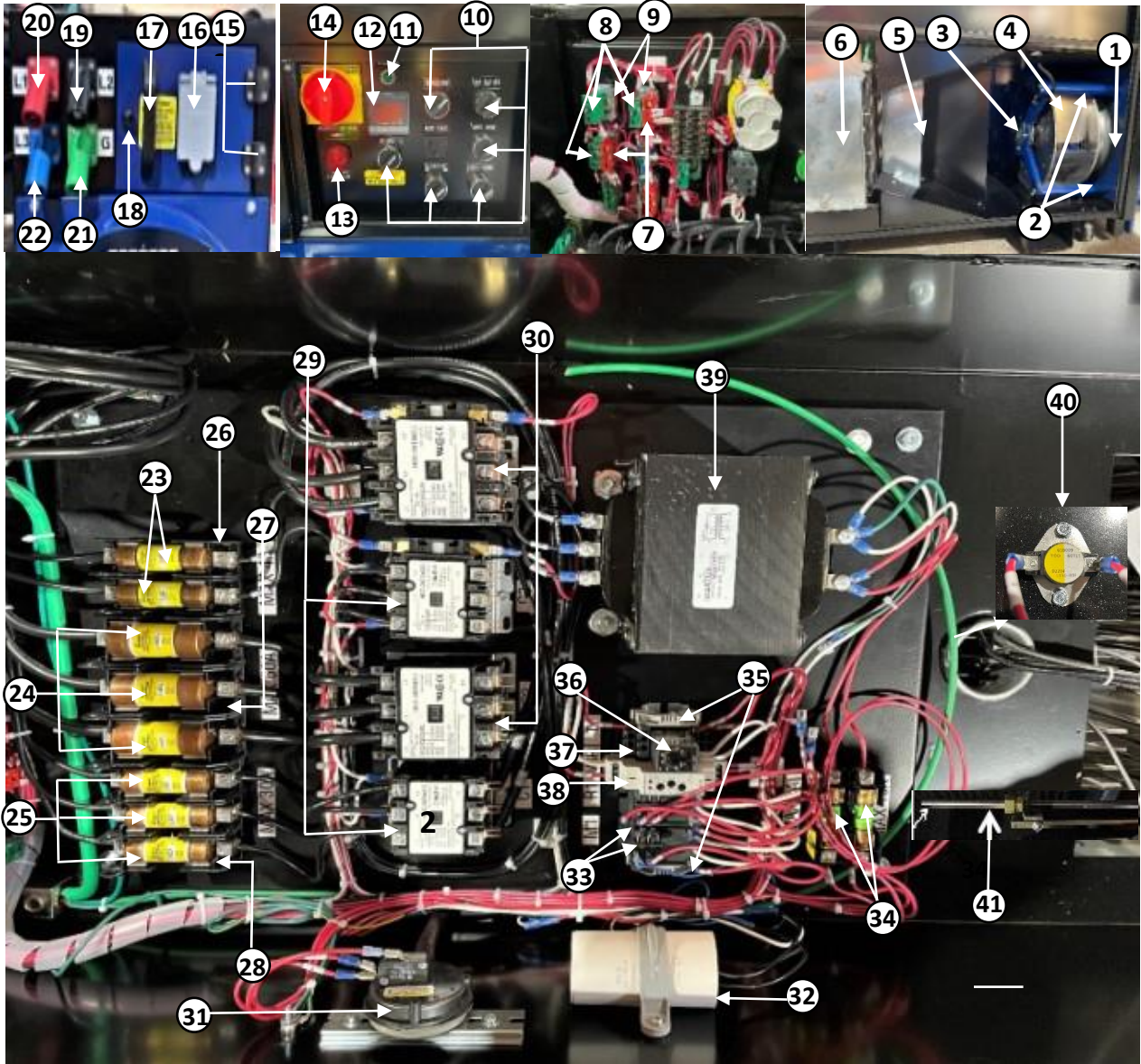
| ITEM# | PART # | DESCRIPTION | QUANTITY |
|-------|---------------|-------------------------------------|----------|
| 1 | C50115 | FRAME | 1 |
| 2 | C50116 | SIDE PANEL LEFT | 1 |
| 3 | C50117 | SIDE PANEL RIGHT | 1 |
| 4 | C50118/C82203 | DOOR PANEL/ELECTRICAL PANEL 480-600 | 1 |
| 5 | C50119 | ACCESS PANEL | 1 |
| 6 | C50120 | ELECTRICAL PANEL | 1 |
| 7 | C50121 | PANEL | 1 |
| 8 | C50122 | ELECTRICAL PANEL (CONTROLS) | 1 |
| 9 | C50123 | DEFLECTORS | 2 |
| 10 | C60022 | DIFUSSER | 2 |
| 11 | C60020 | DEFLECTOR LEFT | 1 |
| 12 | C60021 | DEFLECTOR RIGHT | 1 |

ECO BLAZE 60E (480V/600V)

| | | | |
|------------------------------|--------------------------|---|---|
| 13 | C50125 | TOP PANEL | 1 |
| 14 | C60023/C60024 /C82199 | 12" SUPPLY PANEL/ 16" SUPPLY PANEL/20" SUPPLY PANEL for 60E | 1 |
| 15 | C50127 | FAN MOUNT | 1 |
| 16 | C50128 | FAN POST | 4 |
| 17 | C40029 | FAN MOTOR E | 1 |
| 18 | C40030 | INLET CONE FOR FAN MOTOR E | 1 |
| 19 | C50126/C82200 | 16" RETURN PANEL/20" RETURN PANEL for 60E | 1 |
| 20 | C50168 | CASTER | 4 |
| 21 | C50299 | HINGES | 2 |
| <u>OPTIONAL PARTS</u> | | | |
| | C40051 | FAN MOTOR R | 1 |
| | C40052 | INLET CONE FOR FAN MOTOR R | 1 |
| | C60025 | ROS/PSC POST | 4 |
| | C82202 | 3X1 1/4 SWIVEL CASTER LOCKABLE | 4 |

ECO BLAZE 60E (480V/600V)

BLAZE 60E (480V/600V) CONTROL PANEL BREAKOUT REV 1

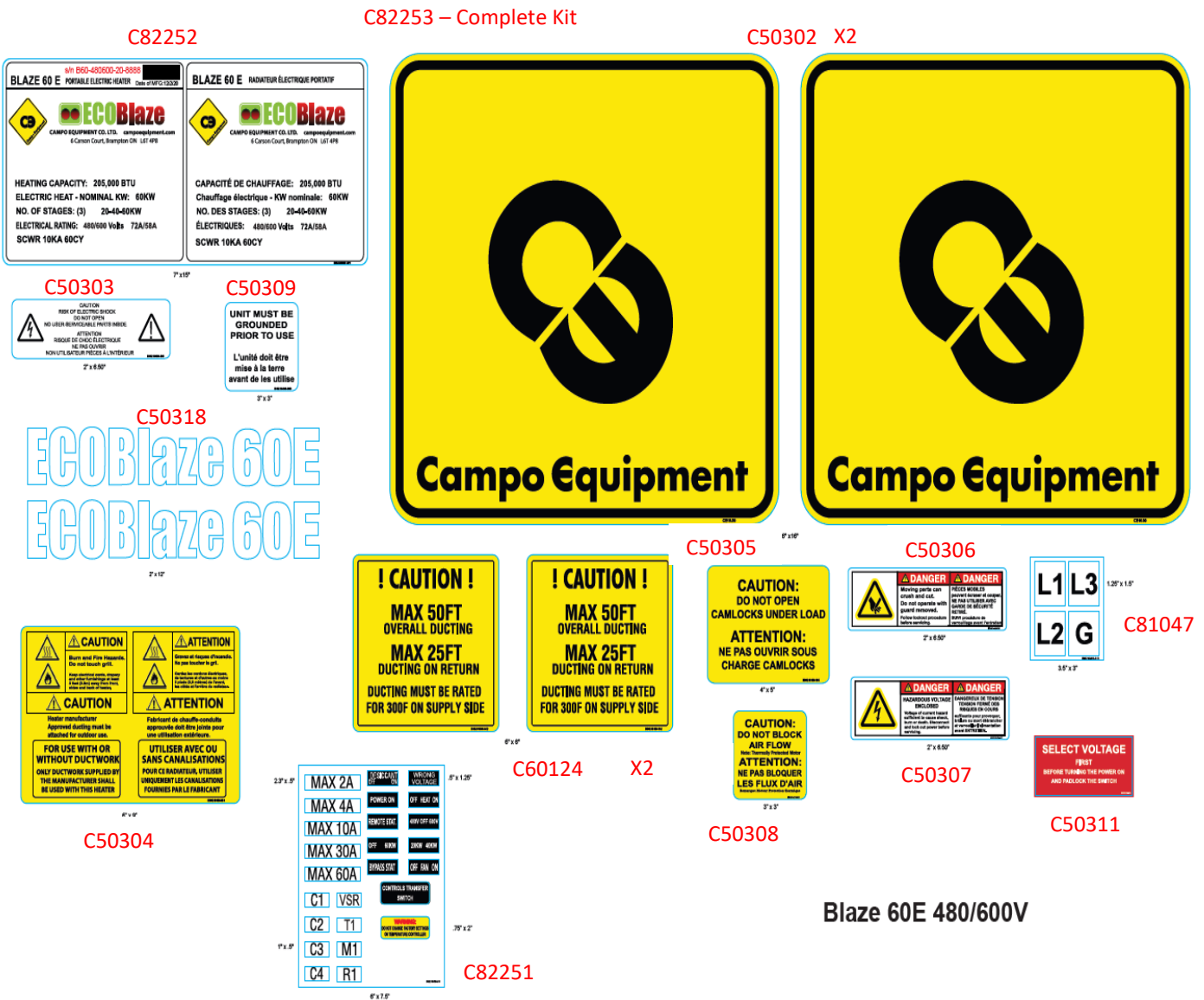


| ITEM# | PART # | DESCRIPTION | QUANTITY |
|-------|--------|----------------------------|----------|
| 1 | C40030 | INLET CONE FOR FAN MOTOR E | 1 |
| 2 | C50128 | FAN POST | 4 |
| 3 | C50127 | FAN MOUNT | 1 |
| 4 | C50260 | FAN MOTOR P | 1 |
| 5 | C50123 | DEFLECTORS | 2 |
| 6 | C82277 | ELEMENT | 1 |
| 7 | C70071 | CONTACT BLOCK | 2 |
| 8 | C70067 | CONTACT BLOCK | 3 |
| 9 | C70069 | FIXING COLLAR | 3 |

ECO BLAZE 60E (480V/600V)

| | | | |
|-----------|----------|---------------------------------|---|
| 10 | C70065 | SELECTOR SWITCH | 6 |
| 11 | C90025 | POWER ON INDICATOR LIGHT GREEN | 1 |
| 12 | C60126 / | TEMPERATURE CONTROLLER | 1 |
| | C60126G | TEMPERATURE CONTROLLER – G Type | |
| 13 | C82012 | PILOT LIGHT | 1 |
| 14 | C50129 | ROTARY SWITCH | 1 |
| 15 | C50299 | HINGE | 2 |
| 16 | C70072 | FLIP LID COVER HOUSING | 1 |
| 17 | C70087 | GRAB HANDLE | 1 |
| 18 | C50298 | 1/4 TURN LATCH | 1 |
| 19 | C50131 | BLACK CAM LOCK | 1 |
| 20 | C50132 | RED CAM LOCK | 1 |
| 21 | C50134 | GREEN CAM LOCK | 1 |
| 22 | C50133 | BLUE CAM LOCK | 1 |
| 23 | C50142 | 4A 600V T.D. FUSE | 2 |
| 24 | C50138 | 60A FUSE | 3 |
| 25 | C50137 | 30A FUSE | 3 |
| 26 | C50240 | FUSE HOLDER | 1 |
| 27 | C50239 | FUSE HOLDER | 1 |
| 28 | C50135 | FUSE HOLDER | 1 |
| 29 | C50257 | CONTACTOR | 2 |
| 30 | C50140 | CONTACTOR | 2 |
| 31 | C50155 | AIR SWITCH | 1 |
| 32 | C82204 | CAPACITOR FAN MOTOR P | 1 |
| 33 | C90050N | RELAY 1&2 (#92A11A22D-120) | 2 |
| 34 | C50143 | 2A 250V T.D. FUSE | 2 |
| 35 | C40188 | End Anchors | 2 |
| 36 | C70044 | TIMER | 1 |
| 37 | C70042 | RELAY BASE | 1 |
| 38 | C82032 | VSR RELAY | 1 |
| 39 | C50235 | TRANSFORMER | 1 |
| 40 | C90041 | HIGH LIMIT SWITCH | 1 |
| 41 | C60121 | THERMOCOUPLE ASSEMBLY | 1 |

ECO BLAZE 60E (480V/600V)



BLAZE 60E (480V/600V) DECAL KIT BREAKOUT REV 2

| | |
|--------|-------------------------------|
| C82253 | BLAZE 60E 480/600V DECAL KIT |
| C82252 | SERIAL NUMBER (VARIABLE DATA) |
| C50302 | CAMPO LOGO |
| C50303 | CAUTION--SHOCK RISK |
| C50304 | CAUTION--BURN/FIRE HAZ. |
| C50305 | CAUTION CAM LOCKS |
| C50306 | DANGER--MOVING PARTS |
| C50307 | DANGER--HAZ. VOLTAGE-X2 |
| C50308 | CAUTION--AIR FLOW BLOCK |
| C50309 | MUST BE GROUNDED |

ECO BLAZE 60E (480V/600V)

| | |
|--------|----------------------------|
| C50318 | BLAZE 60E |
| C60124 | CAUTION-MAX DUCTING-x2 |
| C81047 | L1,L2,L3,G |
| C50311 | Decal-Select Voltage First |
| C82251 | Buttons |