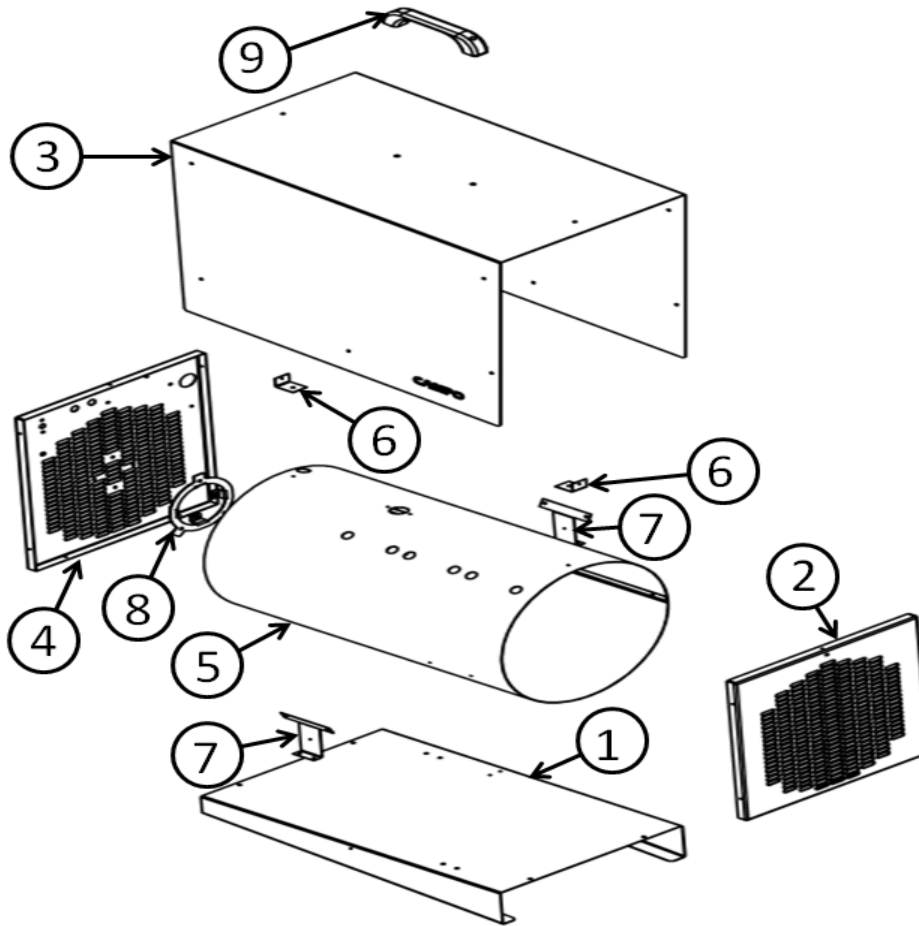


ECO BLAZE 69E

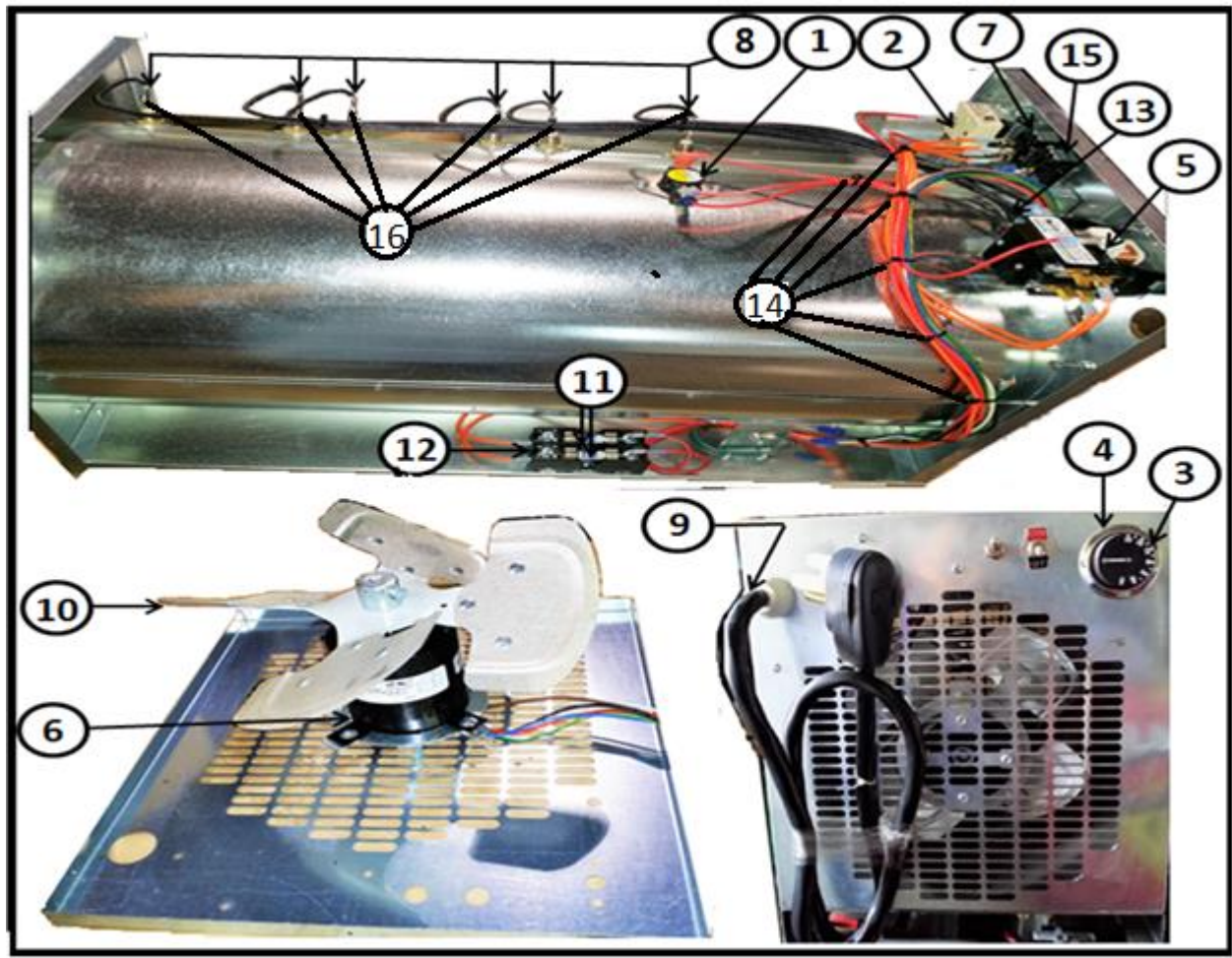
BLAZE 69E PARTS BREAKOUT REV 1



ITEM#	PART #	DESCRIPTION	QUANTITY
1	C50050	BASE	1
2	C50051	SUPPLY PANEL	1
3	C50052	TOP COVER	1
4	C50053	RETURN PANEL	1
5	C50054	BARREL	1
6	C50005	BARREL SUPPORT BRACKET	2
7	C50055	BARREL BRACKET	2
8	C50030	FAN MOTOR BRACKET	1
9	C70087	GRAB HANDLE	1

ECO BLAZE 69E

BLAZE 6/9E ELECTRICAL BREAKOUT REV 2



ITEM#	PART #	DESCRIPTION	QUANTITY
1	C90041	HIGH LIMIT SWITCH	1
2	C50010	ADJUSTABLE THERMOSTAT	1
3	C50011	ADJUSTABLE THERMOSTAT KNOB	1
4	C50012	ADJUSTABLE THERMOSTAT BEZEL	1
5	C50056	CONTACTOR	1
6	C50031	FAN MOTOR	1
7	C50057	SELECTOR SWITCH	1
8	C50033	3KW ELEMENT	3
9	C50058	POWER CORD 1.5M-4.9'	1
10	C50059	FAN BLADE	1
11	C50060	2 AMP TD FUSE	2
12	C50038	FUSE HOLDER	1
13	C50061	GROMMET	1
14	C50016	TYE WRAP BLACK	6

ECO BLAZE 69E

15	C50032	SELECTOR SWITCH	1
16	C60014	HIGH TEMPERATURE DISCONNECT FOR ELEMENT	6
	C50062	3/4" 2 SCREW CONNECTOR	1
	C50065	30A/50A PLUG	1
	C50068	MALE STOVE PLUG ONLY	1
			3
			1
			1
			1
			1

ECO BLAZE 69E

BLAZE 69E DECAL KIT BREAKOUT REV 1

p/n C50069 Complete Kit



14.5"x6.6"

p/n C50073

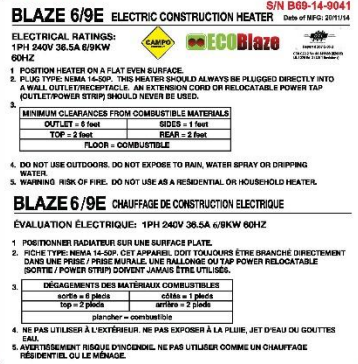


4"x2.75"

p/n C50075

1"x1"
9kw
6kw

p/n C50071



7.25"x7.25"

p/n C50074



6"x6"

p/n C50072



6.6"x5.5"

C50069	BLAZE 69E DECAL KIT
C50070	SERIAL NUMBER (VARIABLE DATA) FOR PACKAGING
C50071	SERIAL NUMBER (VARIABLE DATA) FOR UNIT COVER
C50072	YELLOW WARNING
C50073	RED WARNING
C50074	CAMPO LOGO
C50075	6 & 9KW DECALS