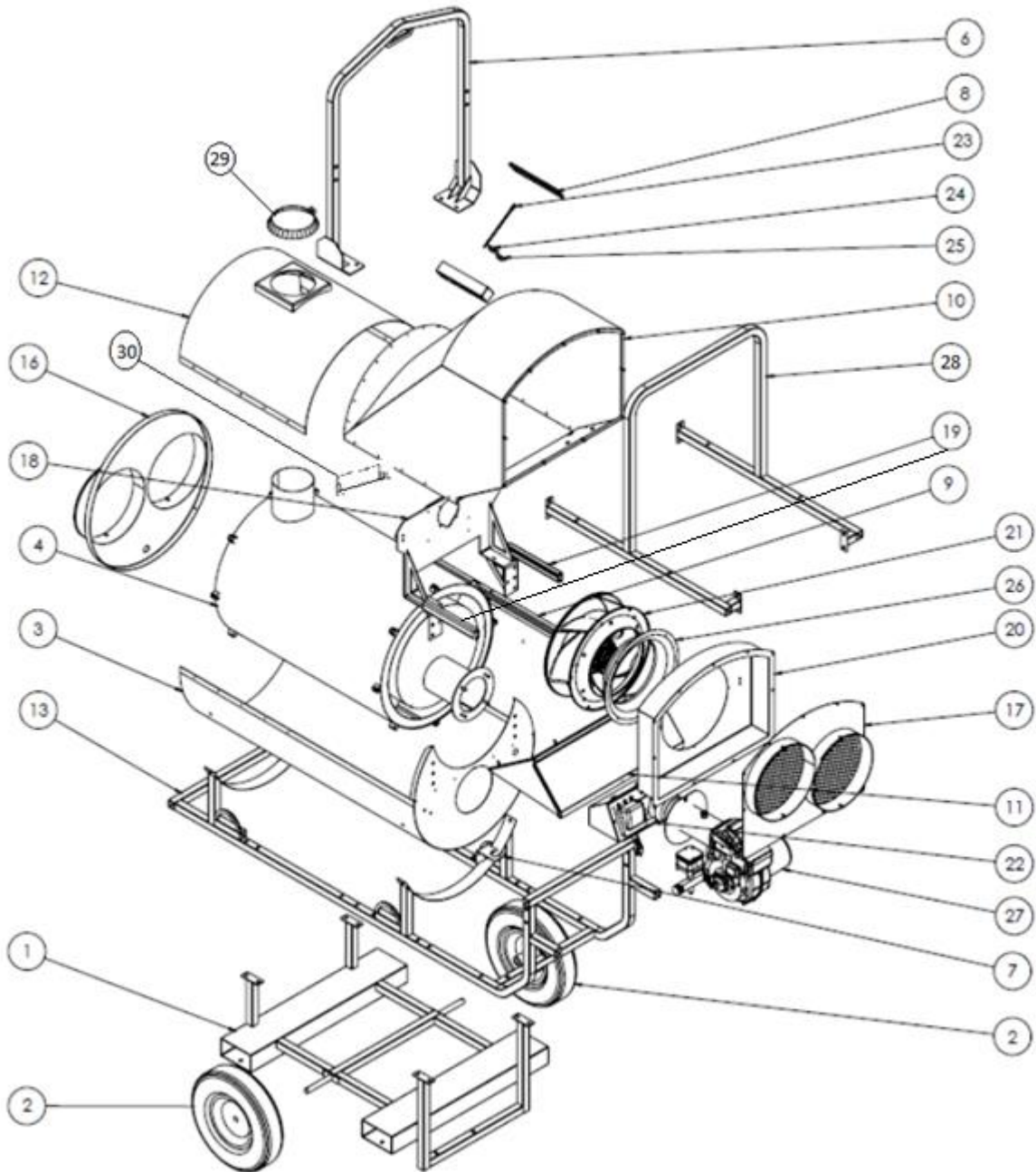


# BLAZE 600 D/G TURBO AND TURBO II

## BLAZE 600DG TURBO & TURBO II PARTS BREAK OUT REV 2



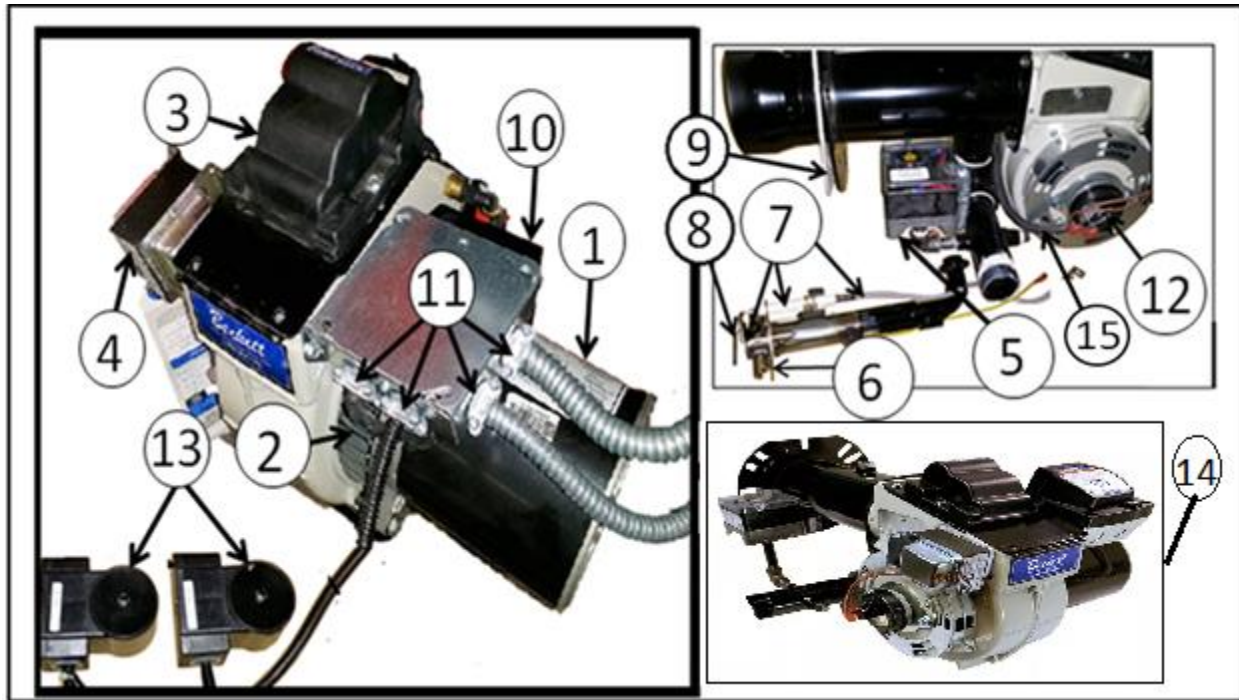
## BLAZE 600 D/G TURBO AND TURBO II

ITEM #	PART#	DESCRIPTION	QTY
1	C40013	FRAME LOWER	1
2	C90001	16" WHEEL	2
3	C40014	BOTTOM ASSY	1
4	C40023/C50322	HEAT EXCHANGER/ HEAT EXCHANGER FOR 600G	1
6	C40015	HANGER ASSY	1
7	C40016	FILTER BRKT	1
8	C40017	L. SWITCH JUNCTION BOX	1
9	C40018	WIRE CHANNEL	1
10	C40020	HOOD	1
11	C40021	HINGED COVER ASSY	1
12	C40022	TOP PANEL	1
13	C40012	FRAME UPPER	1
16	C40025/C40026	2X12" SUPPLY PANEL/1X16" SUPPLY PANEL	1
17	C40024/C40027	2X12" RETURN PANEL/1X16" RETURN PANEL	1
18	C40054/C40105	FAN MOUNT BRKT E&R FAN MOTOR/ BLAZE 600 DG TURBO II FAN MOUNT ASSY	1
19	C40056/C40058/ C40107	FAN POST E FAN MOTOR/ FAN POST R FAN MOTOR / BLAZE 600 DG TURBO II FAN MOUNT POST	2
20	C40055/C4005 7/C40106	FAN MOUNT E FAN MOTOR/ FAN MOUNT R FAN MOTOR / BLAZE 600 TURBO II INLET PANEL	1
21	C40051/C40029/ C40109/C50260	FAN MOTOR R/FAN MOTOR E/ FAN FOR BLAZE600DG TURBO II/Backward Incline Fan Motor P with sleeve	1
22	C40019	CONTROL PANEL BOX	1
23	C50156	THERMOCOUPLE ASSEMBLY	1
24	C82355	RESETTABLE HIGH LIMIT SWITCH	1
25	C90037	FAN OVER RIDE SWITCH	1
	C82355	RESETTABLE HIGH LIMIT SWITCH	1
26	C40052/C40030/ C60001	INLET CONE FAN MOTOR R/INLET CONE FAN MOTOR E/ INLET CONE FOR BLAZE600DG TURBO II	
27	C40070/C40083	BECKETT BURNER 600D/BECKETT BURNER 600G	1
28	C40144	HOOD GUARD	1
29	C40145	COLLAR	1
30	C40147	INSULATION POCKET	1
	C60102	RUBBER SEAL STRIP	1



## BLAZE 600 D/G TURBO AND TURBO II

### C40083 BLAZE 600G TURBO & TURBO II BECKETT BURNER BREAK OUT REV 2



ITEM#	PART #	DESCRIPTION	QTY
1	C40001	MOTOR	1
2	C50249	BLOWER WHEEL	1
3	C40003	IGNITER	1
4	C40004	TRANSFORMER 120/24 VOLTS	1
5	C50251	HIGH PRESSURE SWITCH	1
6	C40089	HEAD	1
7	C40008	ELECTRODE GROUND AND CABLE	1
8	C40009	FLAME ROD	1
9	C40010	FLANGE GASKET	1
10	C40093	TIMER	1
11	C50250	3/8 TWO SCREW CONNECTOR	4
12	C40006	AIR SWITCH	1
13	C40101	HONEYWELL OPEN/CLOSE VALVE	2
14	C40083	BLAZE 600G TURBO & TURBO II BURNER ASSEMBLY	1
15	C50324	AIR PROVING SWITCH HOSE	1

## BLAZE 600 D/G TURBO AND TURBO II

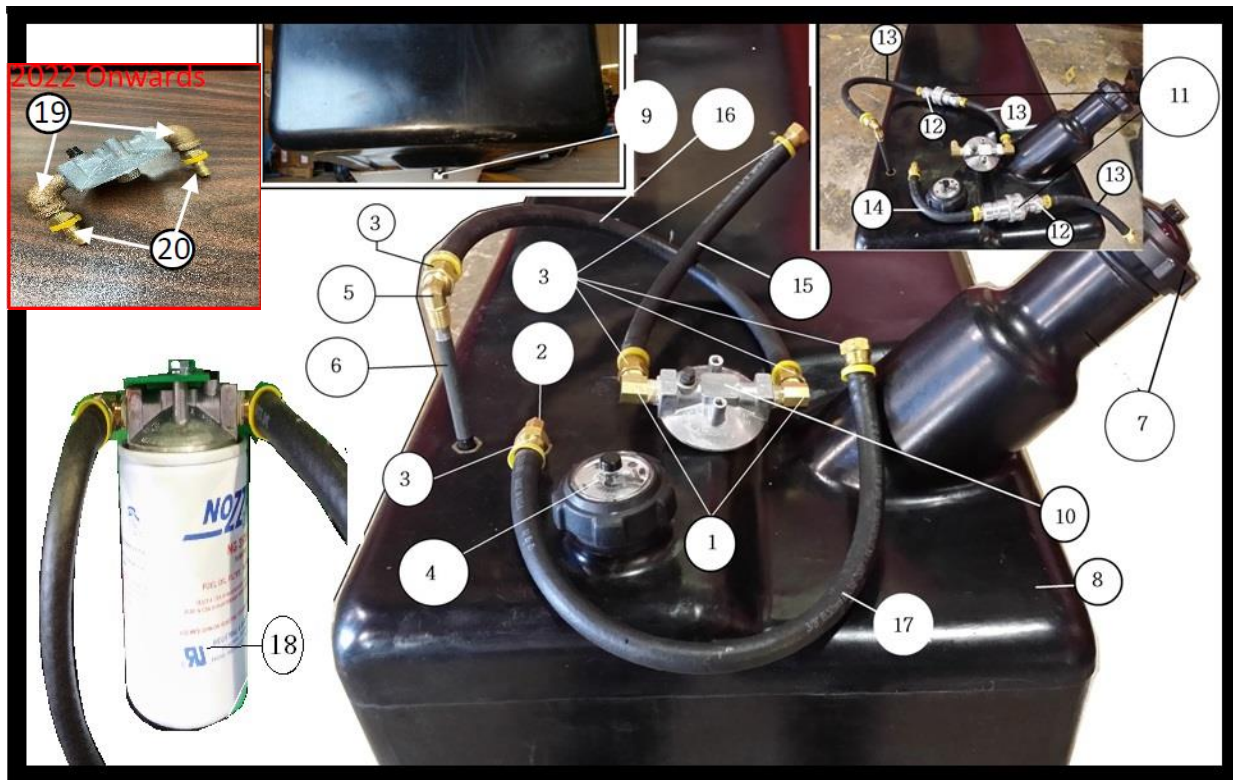
### C40070 BLAZE 600D TURBO & TURBO II BECKETT BURNER BREAK OUT REV 1



ITEM #	PART #	DESCRIPTION	QTY
1	C40071	MOTOR	1
2	C40072	BLOWER	1
3	C40073	IGNITER	1
4	C40075	HEAD	1
5	C60153	ELECTRODES	1
6	C40077	FLANGE GASKET	1
7	C40078	NOZZLE LINE HEAD ASSEMBLY	1
8	C40079	NOZZLE, 2.50 X 60B, C/W MESH FILTER	1
9	C90076	CAD CELL	1
10	C40081	SOLENOID VALVE	1
11	C40082	PUMP	1
12	C90064	FLARE MALE 90-3/8 T X 1/4 MPT	1
13	C90065	FLARE MALE CONNECTOR- 3/8 TX 1/4 MPT	1
14	C50252	FUEL PUMP COUPLING	1
15	C90035	FUEL GAUGE	1
16	C50244	3/8" DUPLEX CONNECTOR	1
17	C40085	MESH STRAINER FOR OIL NOZZLE	1
	C40070	BLAZE 600D TURBO & TURBO II BURNER ASSEMBLY	1
18	C20048	REDUCER- 1/4 TO 1/8 FEMALE TO MALE	1
19	C82268	1/8" FEMALE TO MALE CONNECTOR	1

## BLAZE 600 D/G TURBO AND TURBO II

### C90022 FUEL TANK (42US GALLONS)

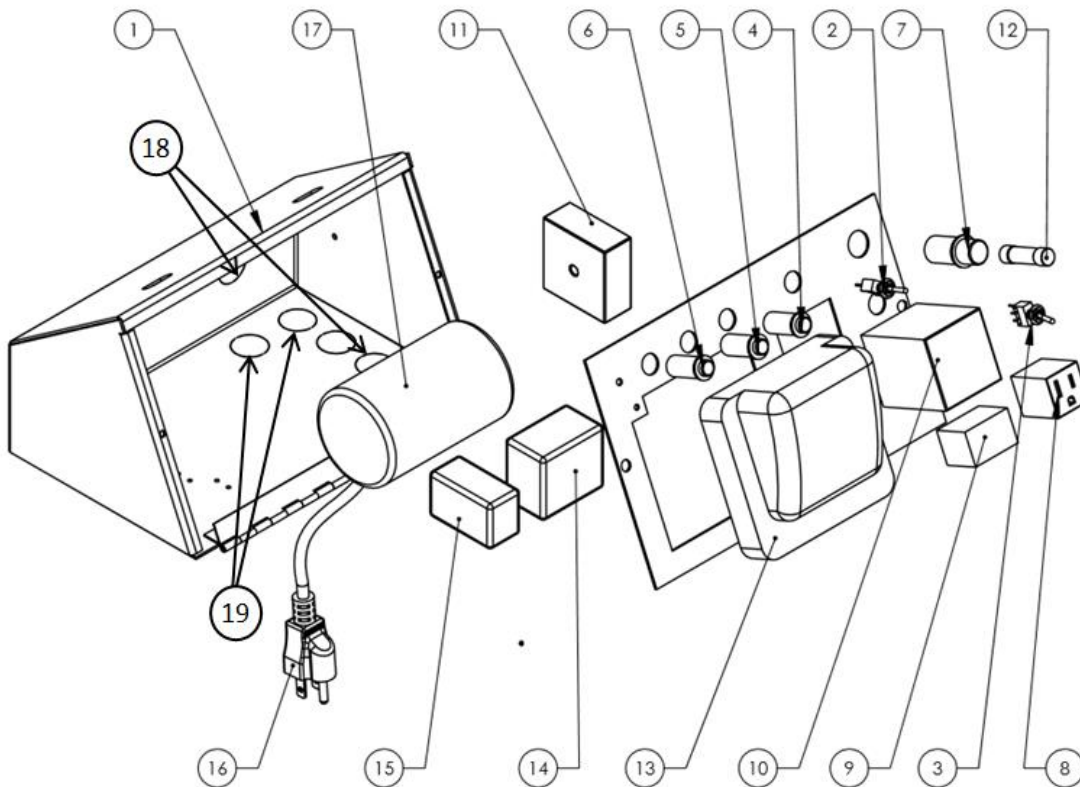


ITEM #	PART #	DESCRIPTION	QTY
1	C90062	FLARE MALE 90°- 3/8 T X 3/8 MPT	2
2	C90064	FLARE MALE 90-3/8M X 1/4 MPT	1
3	C90063	GRIPTITE HOSE ENDS	6
4	C40135	FUEL TANK GAUGE	1
5	C90067	ELBOW FITTING FOR FUEL FEED TUBE	1
6	C90066	FUEL FEED TUBE	1
7	C90021	FUEL TANK CAP (PLASTIC)	1
8	C90022	FUEL TANK (42US GALLONS)	1
9	C90068	DRAIN PLUG FOR FUEL TANK	1
10	C90024	OIL FILTER HEAD	1
11	C40136	SS QUICK CONNECT COUPLING FEMALE	2
12	C40137	SS QUICK CONNECT PLUG MALE	2

## BLAZE 600 D/G TURBO AND TURBO II

<b>13</b>	C40138	7" HOSE FOR QUICK CONNECTS	<b>3</b>
<b>14</b>	C40139	10" HOSE FOR QUICK CONNECTS	<b>1</b>
<b>15</b>	C40140	12" FUEL LINE FROM FILTER HEAD TO BURNER	<b>1</b>
<b>16</b>	C40141	17" SUPPLY LINE TO FUEL FILTER HEAD FROM TANK	<b>1</b>
<b>17</b>	C40142	19" RETURN LINE FROM BURNER TO FUEL TANK	<b>1</b>
<b>18</b>	C90023	FILTER	<b>1</b>
	C40143	COMPLETE FUEL LINE KIT WITH QC'S (1/2")	
	C90061	FUEL LINE HOSE BY THE FOOT (4ft)	
	Revised Parts	For machines made 2022 Onwards	
<b>19</b>	C82264	3/8" Street Elbow - Bronze	
<b>20</b>	C82265	3/8" Bushing & End hose	
	C82266	22" FUEL LINE FROM FILTER HEAD TO BURNER	
	C82267	22" FUEL LINE FROM FILTER HEAD TO BURNER	

### BLAZE 600DG TURBO & TURBO II CONTROL PANEL BREAK OUT REV 1



ITEM#	PART#	DESCRIPTION	QTY
<b>1</b>	C40019	CONTROL PANEL BOX	<b>1</b>
<b>2</b>	C40084	TOGGLE SWITCH	<b>1</b>

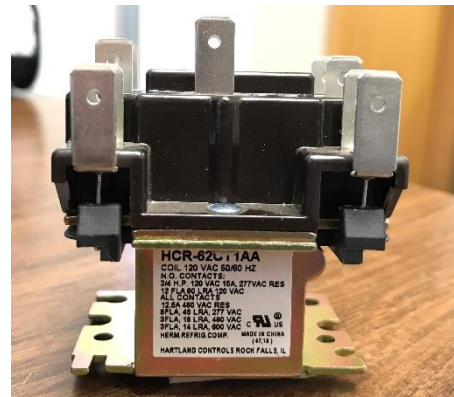
## BLAZE 600 D/G TURBO AND TURBO II

3	C90026	SELECTOR SWITCH	1
4	C90027	BURNER ON INDICATOR LIGHT AMBER	1
5	C90025B	INCORRECT POLARITY LIGHT	1
6	C90025	POWER ON INDICATOR LIGHT GREEN	1
7	C90028	15 AMP FUSE HOLDER	1
8	C90029	OUTLET PLUG	1
9	C78889	PANEL MOUNT VOLTMETER	1
10	C40033/	TEMPERATURE CONTROLLER	1
	C40033G	TEMPERATURE CONTROLLER – G Type	
11	C40032	FAN TIMER	1
12	C90039	2 AMP FUSE	1
13	C7575P1515/C7590C0001U	600D PRIMARY CONTROLLER/600G PRIMARY CONTROLLER	1
14	C90058*/C90050N	RELAY 2 (#HCR-62CT1AA)/(#92A11A22D-120 or #RPF2BF7)	1
15	C90050*/C90050N	RELAY 1 (#HCR-51CT1AB)/(#92A11A22D-120 or #RPF2BF7)	1
16	C90049/C50253	POWER SUPPLY CORD/20A POWER SUPPLY CORD	1
17	C90055/C90054/C40108/ C82204	CAPACITOR FAN MOTOR E/CAPACITOR FAN MOTOR R/CAPACITOR BLAZE 600 DG TURBO II FAN/ CAPACITOR FAN MOTOR P	1
18	C50250	3/8" 2 SCREW CONNECTOR	2
19	C50244	3/8" DUPLEX CONNECTOR	2
	C50156	THERMOCOUPLE ASSEMBLY	1

**C90050 - old Relay1**

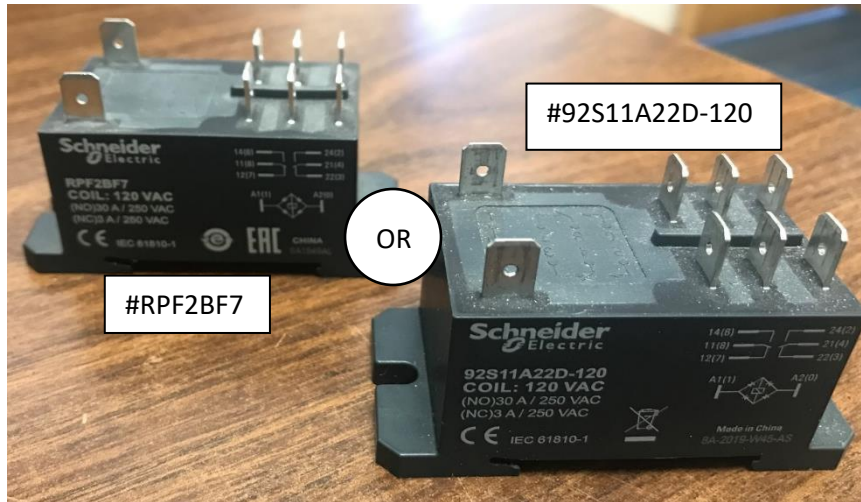


**C90058 – old Relay 2**



## BLAZE 600 D/G TURBO AND TURBO II

C90050N – new relay



**\*NOTE:** C90050 and C90058 are now updated with C90050N

### **BLAZE 600DG TURBO & TURBO II OPTIONAL PARTS**

PART NUMBER	DESCRIPTION
C90053	BEARING FOR 16" WHEEL
C90001FF	16" SOLID WHEEL
C20053	FUEL TANK CAP (METAL)
C78888	GAS GAUGE 15" WC 1/4" BOTTOM MOUNT
C40048	100 US GALLON METAL SKID FUEL TANK
C40049	42 US GALLON SPILL CONTAINMENT KIT
C40050	70 US GALLON SPILL CONTAINMENT KIT
C50254	BLAZE 600D TURBO & TURBO II BURNER C/W NOZZLE HEATER
C50331	NOZZLE HEATER
C40053	FILTER BRACKET FOR HEATED FILTER (BLAZE 400D/600D TURBO SERIES)
C60000	FUEL GAUGE FOR 100 US GALLON TANK C40048

# BLAZE 600 D/G TURBO AND TURBO II

## BLAZE 600DG TURBO DECAL KIT BREAKOUT REV 1

### p/n 40094 COMPLETE KIT



p/n 40111



p/n 40115

Blaze 600 D/G Turbo

Blaze 600 D/G Turbo



p/n 40114



p/n 40113



p/n 40116



p/n 40116



p/n 40117



p/n 40117



p/n 40118

THE BECKETT CG-1024 BURNER IS DESIGNED TO BE USED SOLELY WITH THE BECKETT 7590 GAS BURNER PRIMARY CONTROL AND 7474 GAS IGNITER

LE BRÔLEUR BECKETT CG-1024 EST CONÇU POUR ÊTRE UTILISÉ UNIQUEMENT AVEC LE BECKETT 7590 GAZ COFFRET DE PRIMAIRE ET 7474 GAZ ALLUMEUR

p/n 40119



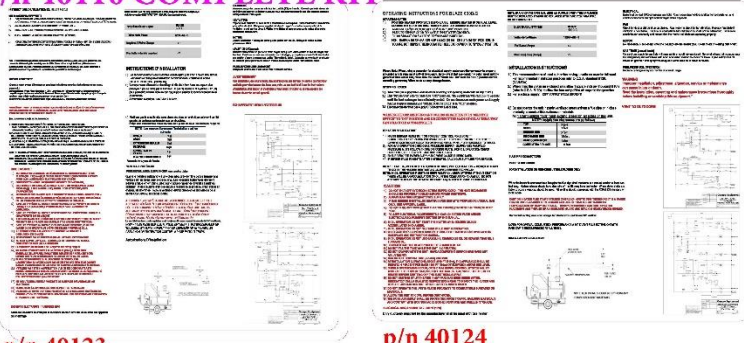
p/n 40121

PART NUMBER	DESCRIPTION
C40094	BLAZE 600DG TURBO DECAL KIT
C40111	SERIAL NUMBER (VARIABLE DATA)
C40112	FRENCH INSTRUCTIONS
C40113	ENGLISH INSTRUCTIONS
C40114	WARNING
C40115	NO LIFT POINT
C40116	LARGE CAMPO LOGO
C40117	SMALL CAMPO LOGO
C40118	CAUTION
C40119	BECKETT STICKER
C40120	BLAZE 600DG TURBO
C40121	CONTROL PANEL DECALS

# BLAZE 600 D/G TURBO AND TURBO II

## BLAZE 600DG TURBO II DECAL KIT BREAKOUT REV 1

### p/n 40110 COMPLETE KIT



p/n 40123

p/n 40124



p/n 40125



p/n 40129



p/n 40130



p/n 40122



p/n 40128



p/n 40126



p/n 40131



p/n 40127



p/n 40132

PART NUMBER	DESCRIPTION
C40110	BLAZE 600DG TURBO II DECAL KIT
C40122	SERIAL NUMBER (VARIABLE DATA)
C40123	FRENCH INSTRUCTIONS
C40124	ENGLISH INSTRUCTIONS
C40125	WARNING
C40126	NO LIFT POINT
C40127	LARGE CAMPO LOGO
C40128	SMALL CAMPO LOGO
C40129	CAUTION
C40130	BECKETT STICKER
C40131	BLAZE 600DG TURBO
C40132	CONTROL PANEL DECALS